

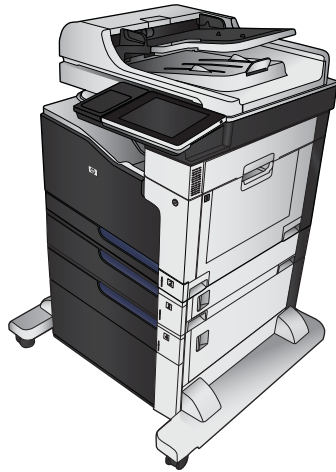


# LASERJET ENTERPRISE 700 COLOR MFP

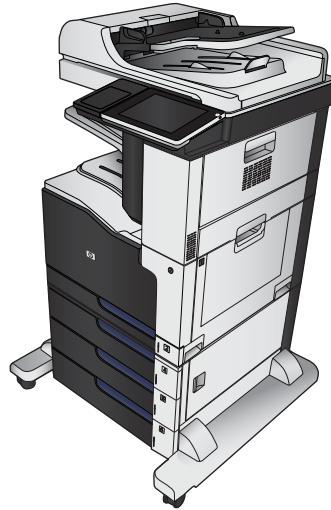
## Repair Manual



M775dn



M775f



M775z



M775z+

---

## 2 Parts and diagrams

- [Order parts by authorized service providers](#)
- [How to use the parts lists and diagrams](#)
- [Assembly locations](#)
- [Document feeder and scanner whole units](#)
- [Document feeder assemblies](#)
- [Scanner assemblies](#)
- [Scanner controller board \(SCB\)](#)
- [Stapler/stacker assembly](#)
- [Covers](#)
- [Right door](#)
- [Internal assemblies](#)
- [1x500-sheet paper feeder](#)
- [1x500-sheet and 3x500-sheet paper deck](#)
- [High capacity input \(HCI\) feeder](#)
- [Alphabetical parts list](#)
- [Numerical parts list](#)

# Order parts by authorized service providers

## Order parts, accessories, and supplies

**Table 2-1 Order parts, accessories, and supplies**

Order supplies and paper	<a href="http://www.hp.com/go/suresupply">www.hp.com/go/suresupply</a>
Order genuine HP parts or accessories	<a href="http://www.hp.com/buy/parts">www.hp.com/buy/parts</a>
Order through service or support providers	Contact an HP-authorized service or support provider.
Order using HP software	For information about using the HP software to order parts, accessories, and supplies, see the product user guide.

## Related documentation and software

**Table 2-2 Related documentation and software**

<b>Item</b>	<b>Description</b>	<b>Part number</b>
<i>HP LaserJet Enterprise 700 Color MFP M775 User Guide</i>	Product user guide	CC522-90908
<i>HP LaserJet Enterprise 700 Color MFP M775 Repair Manual</i>	English service manuals	CC522-90967
<i>HP LaserJet Enterprise 700 Color MFP M775 Troubleshooting Manual</i>		CC522-90968

## Supplies part numbers

**Table 2-3 Supplies part numbers**

Item	Description	Part number
HP LaserJet toner cartridges	Black print cartridge	CE340A (new)
		CE340-67901 (service)
	Cyan print cartridge	CE341A (new)
		CE341-67901 (service)
Yellow print cartridge	CE342A (new)	
	CE342-67901 (service)	
Magenta print cartridge	CE343A (new)	
	CE343-67901 (service)	

## Customer self-repair parts

The following customer self-repair parts are available for the product.

Each kit includes parts and installation instructions. The customer self repair (CSR) level indicates the expected difficulty the customer will experience when replacing this part:

- **A:** Easy
- **B:** Difficult



**NOTE:** For more information, go to [www.hp.com/go/customerselfrepair/lj700colorMFPM775](http://www.hp.com/go/customerselfrepair/lj700colorMFPM775).

**Table 2-4 Customer self-repair parts**

Item	Description	CSR level	Part number
Hard disk drive replacement kit	• Hard Disk, 320GB	B	CC522-67903
Replacement kit for the HP High-Performance Secure Hard Disk (government option only)	• Hard Disk, 320GB	B	CC522-67932
Formatter replacement kit	• Formatter PCA assembly	A	CC522-67933
	• Formatter PCA assembly (China)		CC522-67934
Control-panel replacement kit	• Control Panel	A	CD644-67916
Fax-card replacement kit	• Fax card PCA	B	CC522-67929
			CC487A

**Table 2-4 Customer self-repair parts (continued)**

Item	Description	CSR level	Part number
Document-feeder-roller maintenance kit	<ul style="list-style-type: none"> <li>Document feeder preventative maintenance rollers</li> </ul>	A	L2725-60002 L2718A
Document feeder reflector foam A3	<ul style="list-style-type: none"> <li>Document-feeder reflector foam A3</li> </ul>	B	5851-4888
Fuser replacement kit	<ul style="list-style-type: none"> <li>Fuser</li> </ul>	A	CC522-67904 (110V) CE514A (110V) CC522-67926 (220V) CE515A (220V)
			<b>NOTE:</b> Make sure that you use the correct part number for the rated voltage of the product.
Staple-cartridge refill	<ul style="list-style-type: none"> <li>Staple cartridge</li> </ul>	A	C8085-60541 C8091A
1x500-sheet paper feeder kit	<ul style="list-style-type: none"> <li>1x500-sheet paper feeder</li> </ul>	A	CE860-67901 CE860A
3x500-sheet paper feeder with stand kit	<ul style="list-style-type: none"> <li>3x500-sheet paper deck</li> </ul>	A	CE725-67901 CE725A
1x500-sheet paper deck with stand kit	<ul style="list-style-type: none"> <li>1x500-sheet paper deck with stand</li> </ul>	A	CC522-67907 CE792A
3,500-sheet high-capacity feeder with stand kit	<ul style="list-style-type: none"> <li>3,500-sheet high-capacity feeder with stand</li> </ul>	A	CC522-67908 CF305A
Toner-collection-unit kit	<ul style="list-style-type: none"> <li>Toner collection unit (bottle)</li> </ul>	A	CE980-67901 CE980A
Tray 1 pickup roller and separation pad kit	<ul style="list-style-type: none"> <li>Tray 1 separation pad</li> <li>Tray 1 pickup roller</li> </ul>	A	CC522-67928
Tray 2 pickup roller/separation pad kit	<ul style="list-style-type: none"> <li>Tray 2 separation roller</li> <li>Tray 2 pickup roller</li> </ul>	A	CC522-67927
Tray 3, 4, 5, or 6 pickup feed/separation roller kit	<ul style="list-style-type: none"> <li>Tray 3, 4, 5, or 6 separation rollers</li> <li>Tray 3, 4, 5, or 6 pickup rollers</li> </ul>	A	CC522-67909
3,500-sheet tray pickup roller/separation roller kit	<ul style="list-style-type: none"> <li>HCI feed/separation rollers</li> <li>HCI pickup rollers</li> </ul>	A	5851-5011

**Table 2-4 Customer self-repair parts (continued)**

Item	Description	CSR level	Part number
Intermediate transfer belt kit (maintenance)	• ITB	A	CC522-67910
	• Secondary transfer roller		CE516A
	• Tray 2 pickup and separation roller		
	• Pickup and feed rollers for the 500-sheet trays		
	• Feed rollers for the high-capacity trays		
Intermediate transfer belt kit (repair)	• ITB	A	CC522-67911
	• Secondary transfer roller		
Secondary transfer roller kit	• Secondary transfer roller	A	CC522-67912
Tray 2 replacement	• Tray 2 cassette	A	CC522-67913
Tray 3, 4, 5, or 6 replacement	• Tray 3, 4, 5, or 6 cassette	A	CC522-67914
	• Tray label		
3,500-sheet high-capacity Tray 3	• HCl Tray 3 (right side)	A	CC522-67916
	• Tray label		
3,500-sheet high-capacity Tray 4	• HCl Tray 4 (left side)	A	CC522-67915
	• Tray label		
Tray label kit	• HCl tray labels	A	CE707-00001

## Service replacement parts

Item	Description	Part number
DC controller service kit	• DC controller PCA	RM1-9371-000CN
Front cover service kit	• Front cover assembly	CE707-67902
	• HP logo jewel	
Fuser drive service kit	• Fuser drive assembly	CE707-67904
	• Main drive alignment pins	
	• Install guide	
Inner door service kit	• Inner door assembly	CC522-67906
	• Four color cartridge labels	
Interconnect board (ICB) service kit	• ICB PCA	RM1-9368-000CN
Main drive service kit	• Main drive assembly	CE708-67901
	• Install guide	

Item	Description	Part number
Toner vacuum service kit	• Toner vacuum	CC468-69002 (110V)
	• Instructions for use	CC468-69003 (220V)
Flatbed scanner service kit	• Flatbed Scanner assembly	CC522-67922
	• Kit, reflector foam A3	
Document feeder service kit	• Document feeder assembly A3	CC522-67923
	• Kit, reflector foam A3	
Reflector foam service kit	• Reflector foam A3	5851-4888
	• Install guide	
Document feeder separation pad spring service kit	• Document feeder separation pad spring	5851-4879
	• Install guide	
Document feeder mylar A3 service kit	• Document feeder mylar – separation	5851-4997
	• Document feeder mylar – deskew	
	• Install guide	


## Accessories


Item	Description	Part number
1x500-sheet paper feeder	Optional tray to increase paper capacity	CE860A
1x500-sheet paper deck with cabinet	Optional tray to increase paper capacity	CE792A
3x500-sheet paper deck with stand	Optional tray to increase paper capacity	CE725A
3,500-sheet high-capacity tray	Optional tray to increase paper capacity	CF305A
Fax accessory	HP LaserJet MFP Analog Fax Accessory 500	CC487A
USB wireless print server	HP Jetdirect ew2500 Wireless Print Server	J8026A
USB cable	Standard USB-compatible device connector, 2 m (6.5 ft)	C6518A

## How to use the parts lists and diagrams

The figures in this chapter show the major subassemblies in the product and their component parts. A parts list table follows each exploded view assembly diagram. Each table lists the item number, the associated part number, and the description of each part. If a part is not listed in the table, then it is not a field replacement unit (FRU).

---

 **CAUTION:** Be sure to order the correct part. When looking for part numbers for electrical components, pay careful attention to the voltage that is listed in the description column. Doing so will ensure that the part number selected is for the correct model.

 **NOTE:** In this manual, the abbreviation “PCA” stands for “printed circuit-board assembly.” Components described as a PCA might consist of a single circuit board or a circuit board plus other parts, such as cables and sensors.

---



# Assembly locations

## Base product (no optional trays or accessories)

Figure 2-1 Base product (no optional trays or accessories)

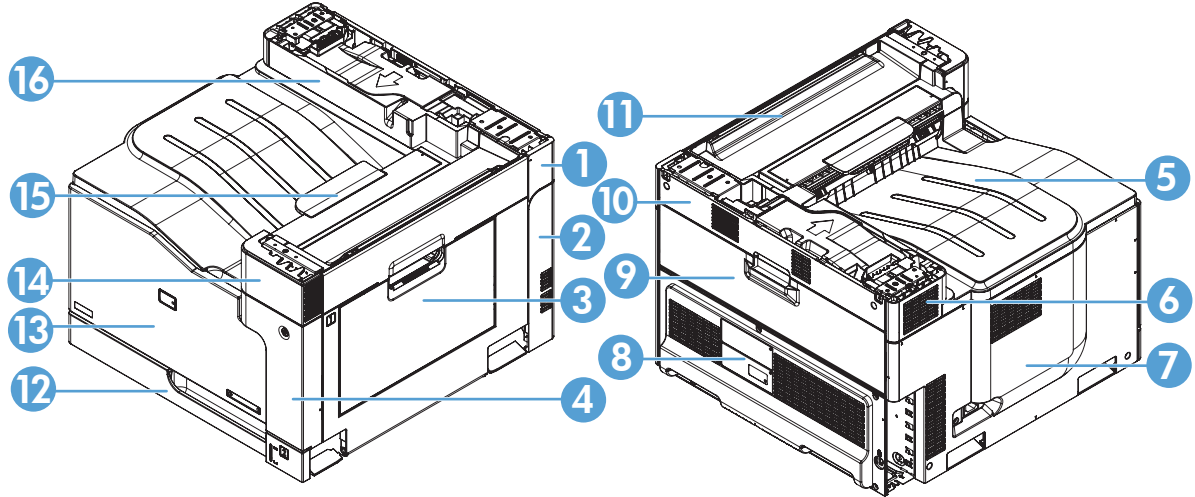


Table 2-5 Base product (no optional trays or accessories)

Item	Description	Item	Description
1	Right upper cover	9	Toner collection unit access door
2	Right rear cover	10	Rear upper cover
3	Right door	11	Top right cover
4	Front right cover	12	Tray 2 cassette
5	Top cover	13	Front door
6	Left upper cover	14	Front upper cover
7	Left cover	15	Output cover
8	Rear cover	16	Top rear cover

## Document feeder and scanner

Figure 2-2 Document feeder and scanner

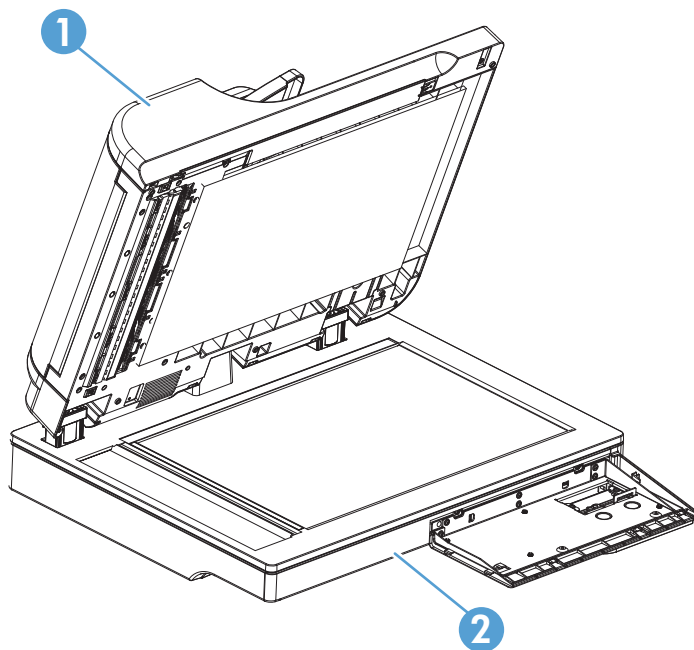
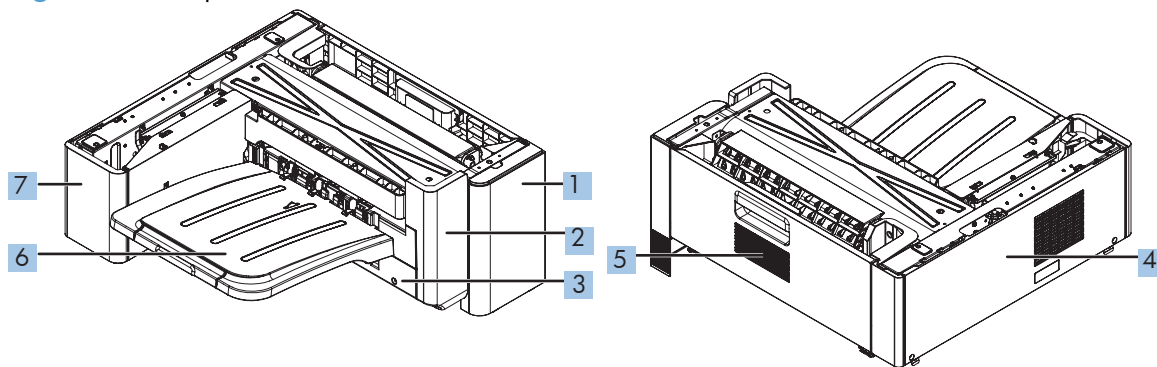


Table 2-6 Document feeder and scanner

Item	Description
1	Document feeder assembly
2	Scanner assembly

## Stapler/stacker

Figure 2-3 Stapler/stacker



Item	Description	Item	Description
1	Front right cover	5	Right door
2	Front left cover	6	Output bin

Item	Description	Item	Description
3	Left lower cover	7	Left rear
4	Rear cover		

## 500-sheet paper feeder

Figure 2-4 500-sheet paper feeder

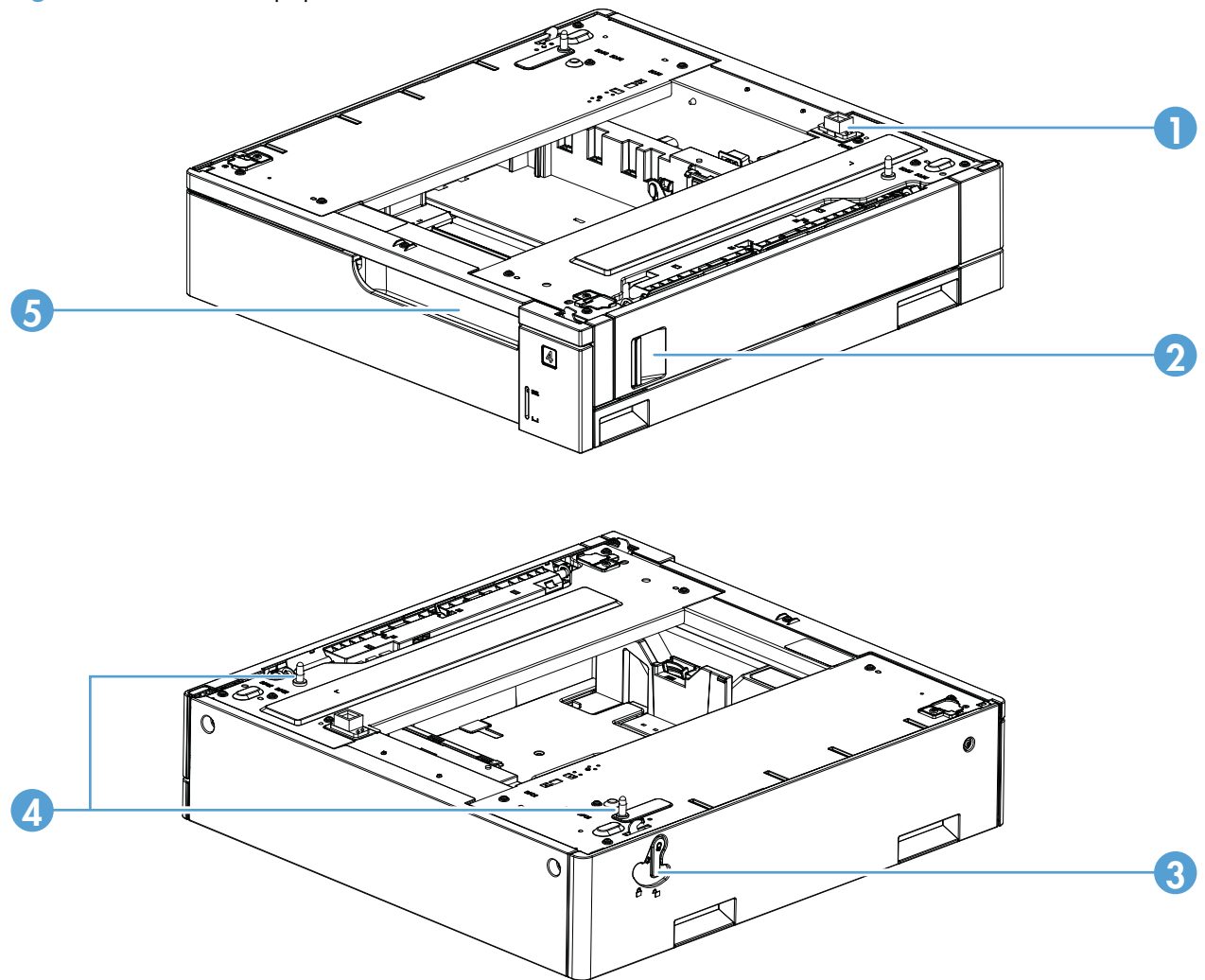


Table 2-7 500-sheet paper feeder

Item	Description	Item	Description
1	Connector	4	Positioning pin
2	Right door	5	Cassette
3	Lock lever		

## 1x500-sheet paper deck

Figure 2-5 1x500-sheet paper deck

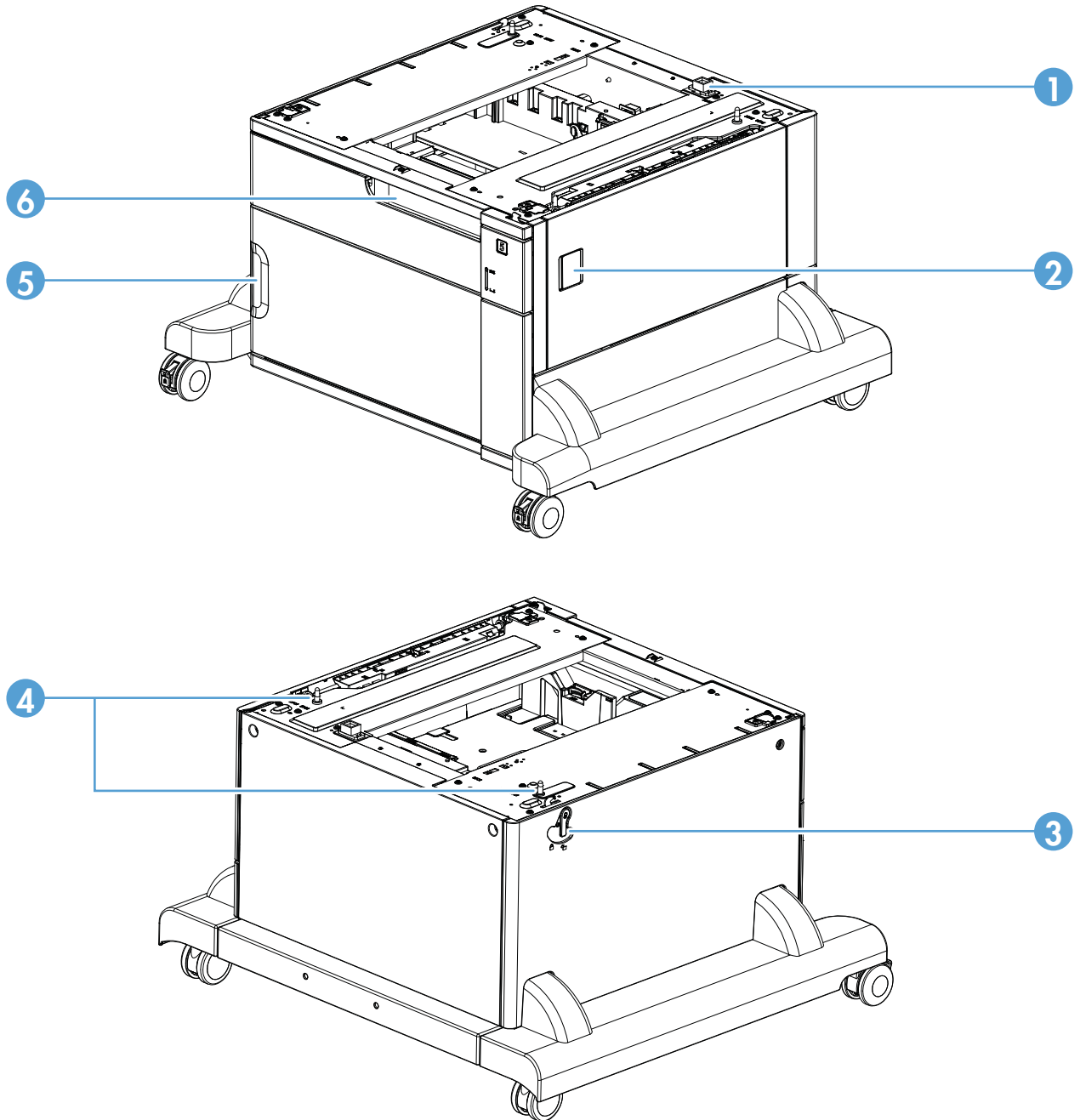


Table 2-8 1x500-sheet paper deck

Item	Description	Item	Description
1	Connector	4	Positioning pin
2	Right door	5	Front door
3	Lock lever	6	Cassette

## 3x500-sheet paper deck

Figure 2-6 3x500-sheet paper deck

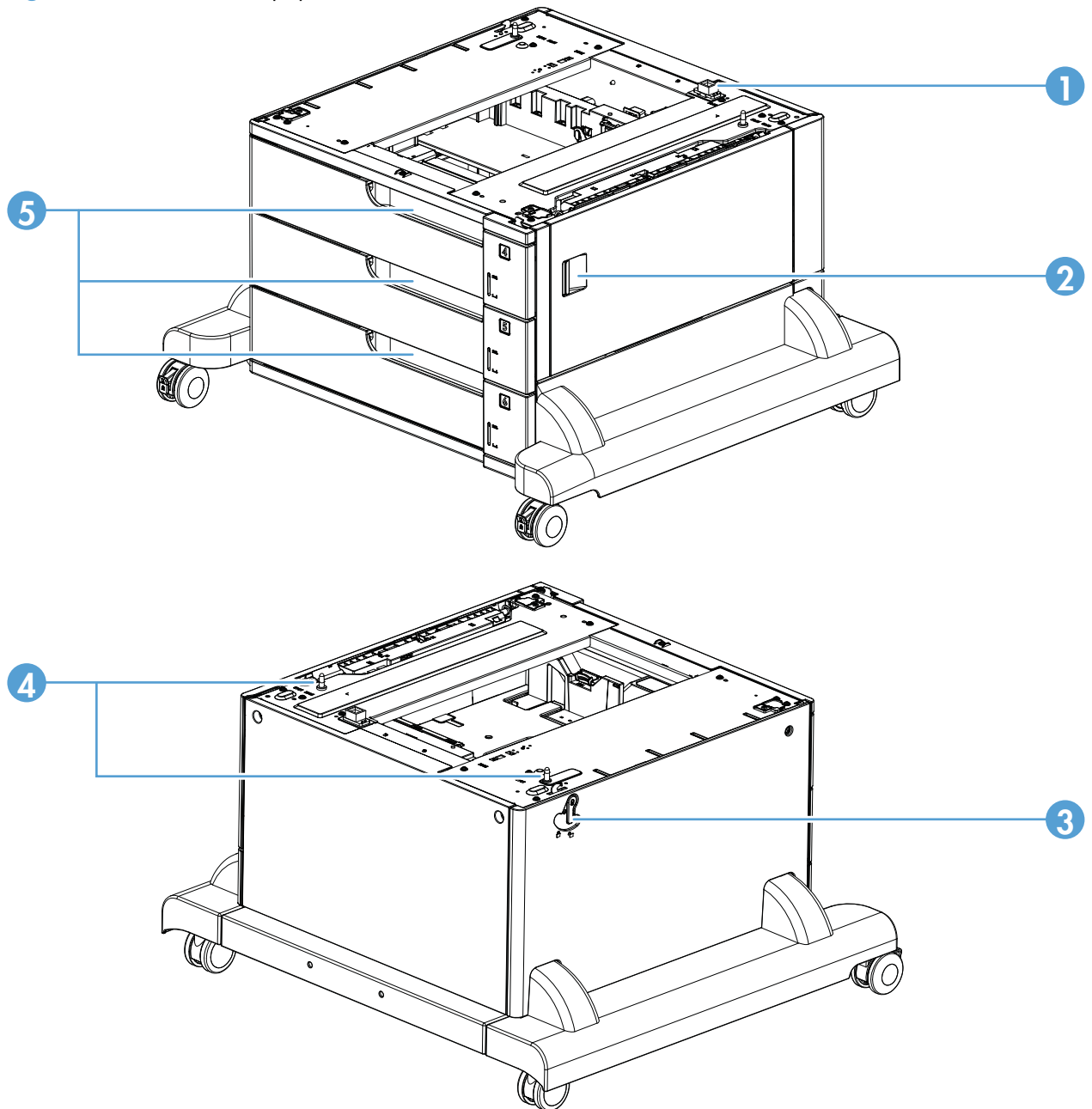


Table 2-9 3x500-sheet paper deck

Item	Description	Item	Description
1	Connector	4	Positioning pin
2	Right door	5	Cassette
3	Lock lever		

## High capacity input (HCI) paper deck

Figure 2-7 High capacity input (HCI) paper deck

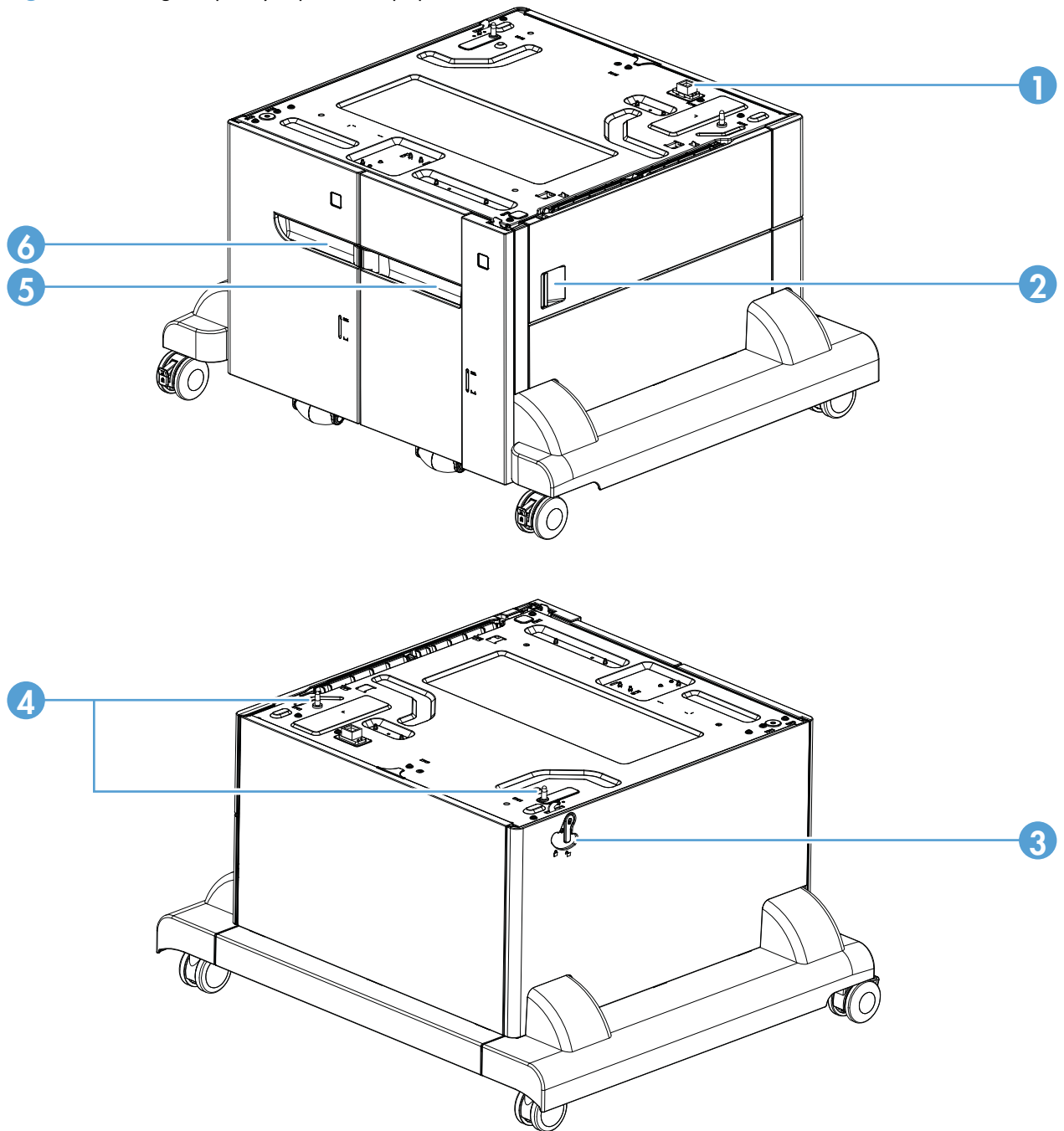
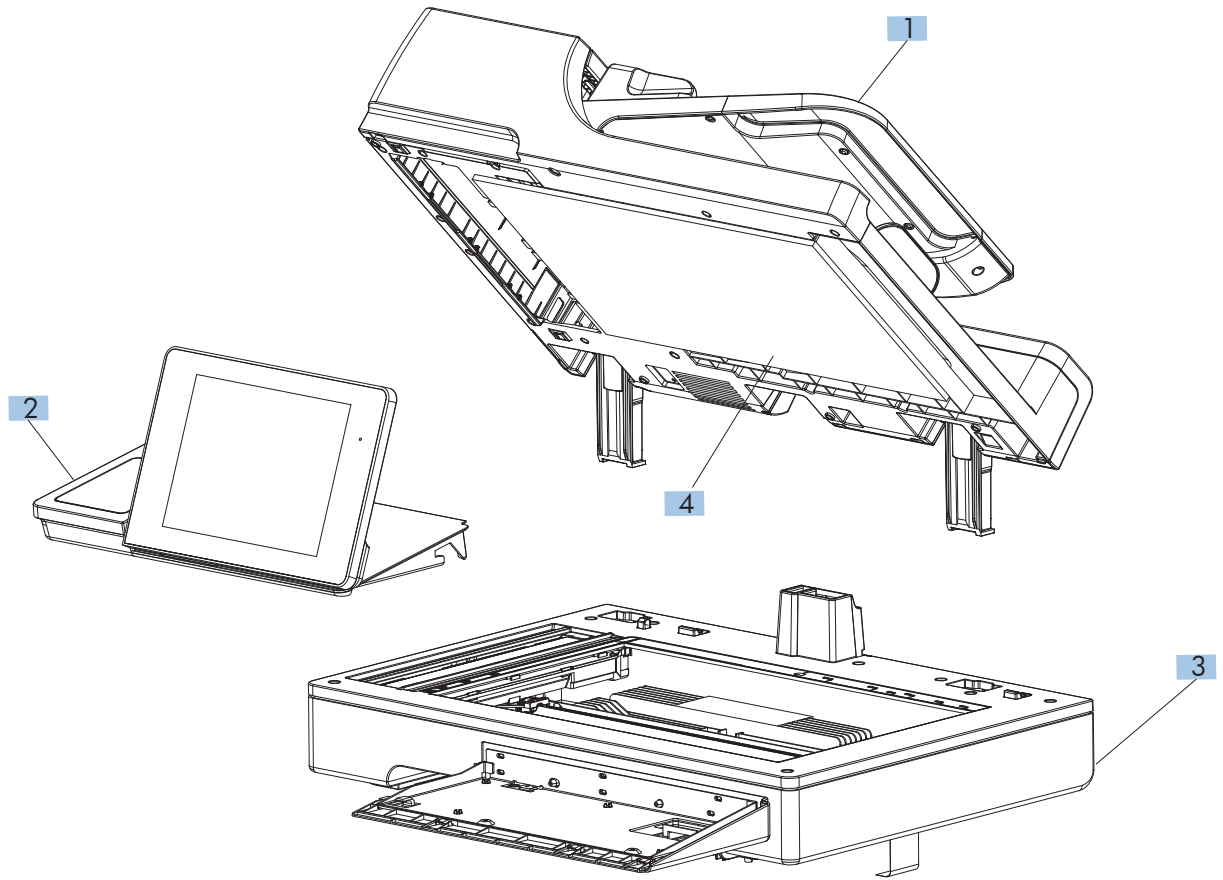


Table 2-10 High capacity input (HCI) paper deck

Item	Description	Item	Description
1	Connector	4	Positioning pin
2	Right door	5	Right cassette
3	Lock lever	6	Left cassette

# Document feeder and scanner whole units

Figure 2-8 Document feeder and scanner whole units



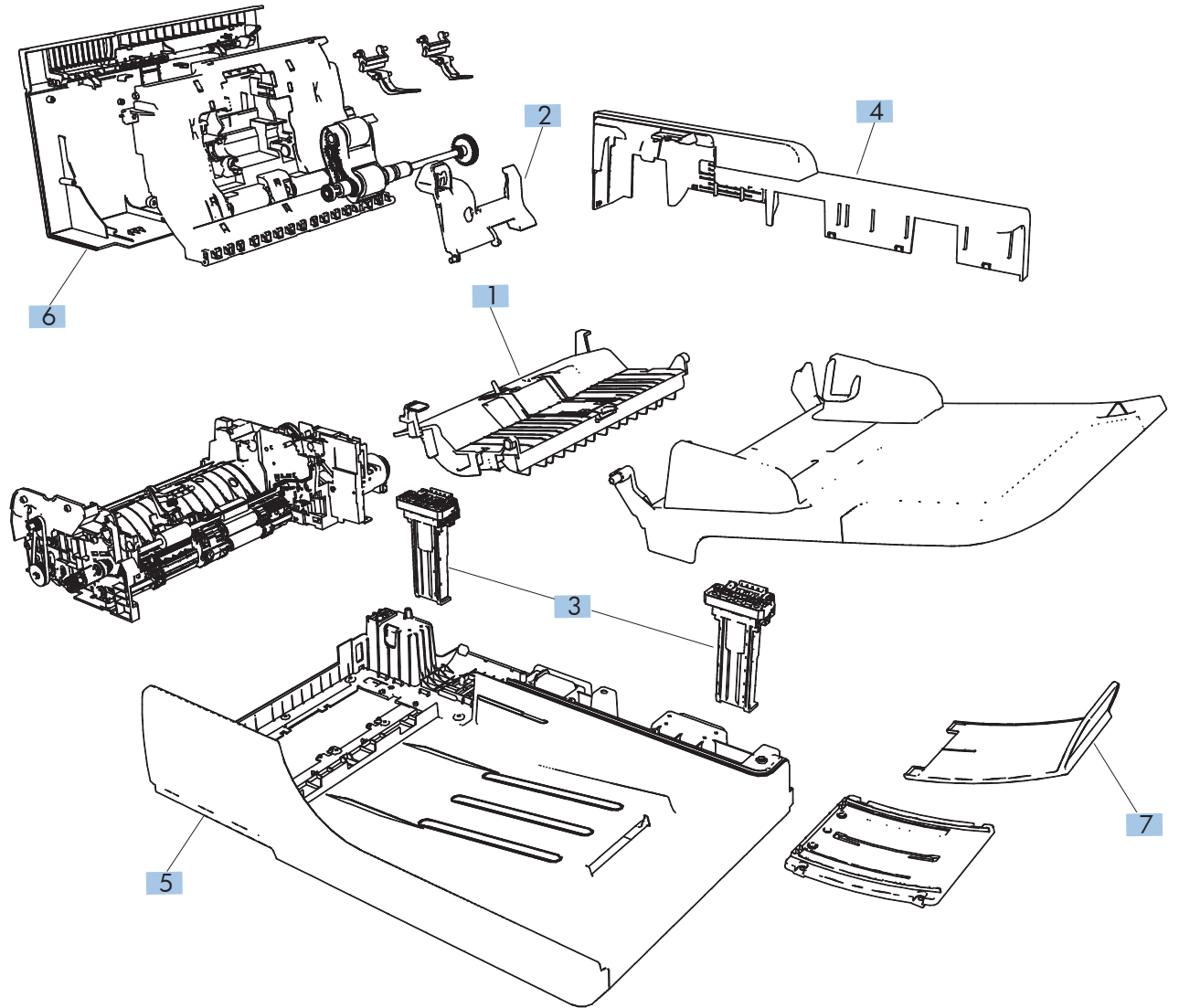
**Table 2-11 Document feeder and scanner whole units**

<b>Ref</b>	<b>Description</b>	<b>Part number</b>	<b>Qty</b>
1	Kit, ADF whole unit, A3 (includes foam reflector kit)	CC522-67923	1
2	Kit, scanner whole unit (includes foam reflector kit)	CC522-67922	1
3	Kit, control panel	CD644-67916	1
4	Kit, reflector foam, A3	5851-4888	1



# Document feeder assemblies

Figure 2-9 Document feeder assemblies

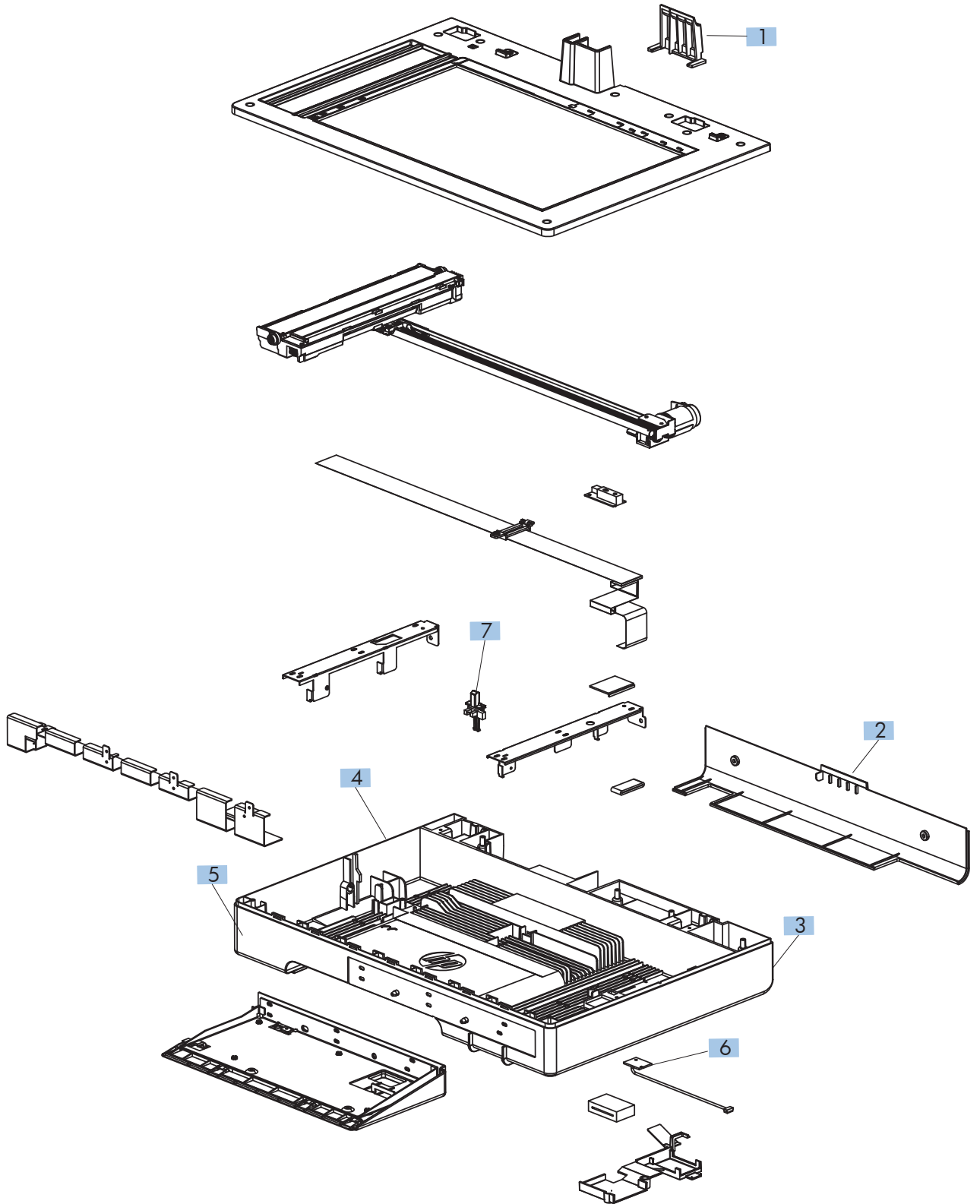


**Table 2-12 Document feeder assemblies**

<b>Ref</b>	<b>Description</b>	<b>Part number</b>	<b>Qty</b>
All shown	ADF Assembly (complete)	CC522-67923	1
1	ADF separation pad spring	5851-4879	1
2	ADF roller cover, A3	CQ819-40032	1
3	ADF hinge assembly	CQ819-60011	2
4	Cover, ADF rear	CQ819-40005	1
5	Cover, ADF front	CQ819-40003	1
6	Cover, hatch	CQ819-40004	1
7	ADF tray extender	Q7404-40020	1
Not shown	Photosensor	CC355-80014	1
Not shown	Width sensor PCA	CQ819-60022	1
Not shown	Media Stopper, Front	CC355-40046	1
Not shown	Media Stopper, rear	CC355-40047	1
Not shown	Kit, A3 ADF mylar	5851-4997	1
Not shown	Flag, media presence	CC355-40015	1

# Scanner assemblies

Figure 2-10 Scanner assemblies



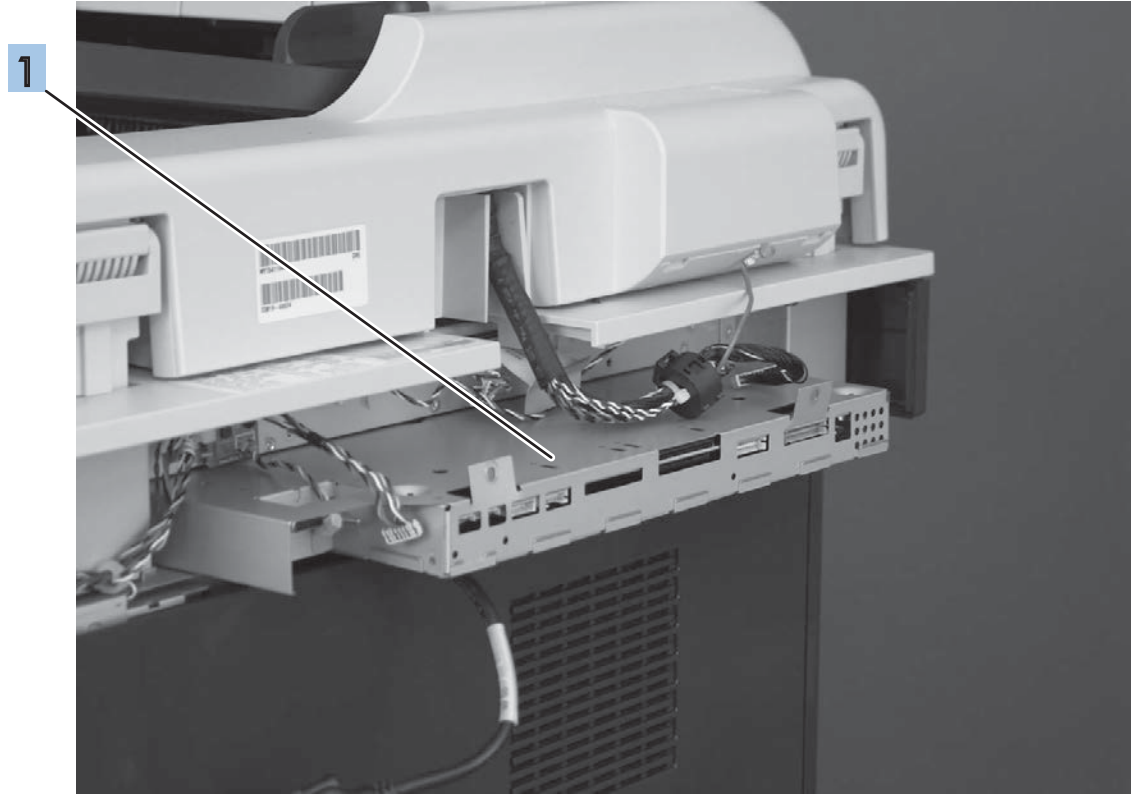
**Table 2-13 Scanner assemblies**

<b>Ref</b>	<b>Description</b>	<b>Part number</b>	<b>Qty</b>
All shown	Flatbed scanner Assy (complete) <sup>1</sup>	CC522-67922	1
1	Cover, ADF cable	CC522-40023	1
2	Cover, back scanner	CC522-40017	1
3	Cover, right scanner	CC522-40022	1
4	Cover, front scanner	CC522-40020	1
5	Cover, left scanner	CC522-40021	1
6	PCA, scanner memory	5851-4285	1
7	Flag, document feeder open sensor	CC522-40029	1
Not shown	Spring, document feeder sensor	CC522-80101	1

<sup>1</sup> Does not include the scan control board (SCB).

# Scanner controller board (SCB)

Figure 2-11 Scanner controller board (SCB)



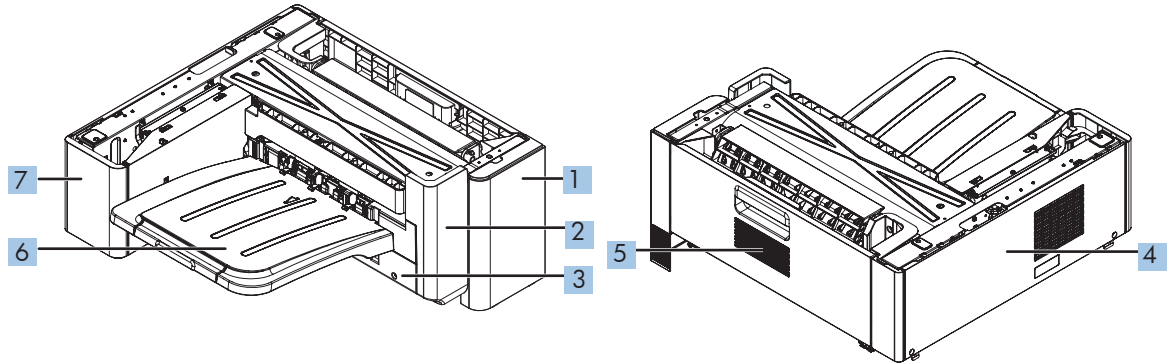
**Table 2-14 Scanner controller board (SCB) assembly**

<b>Ref</b>	<b>Description</b>	<b>Part number</b>	<b>Qty</b>
1	SCB, top Level Assembly	CC522-67931	1

# Stapler/stacker assembly

## Stapler/stacker covers

Figure 2-12 Stapler/stacker covers



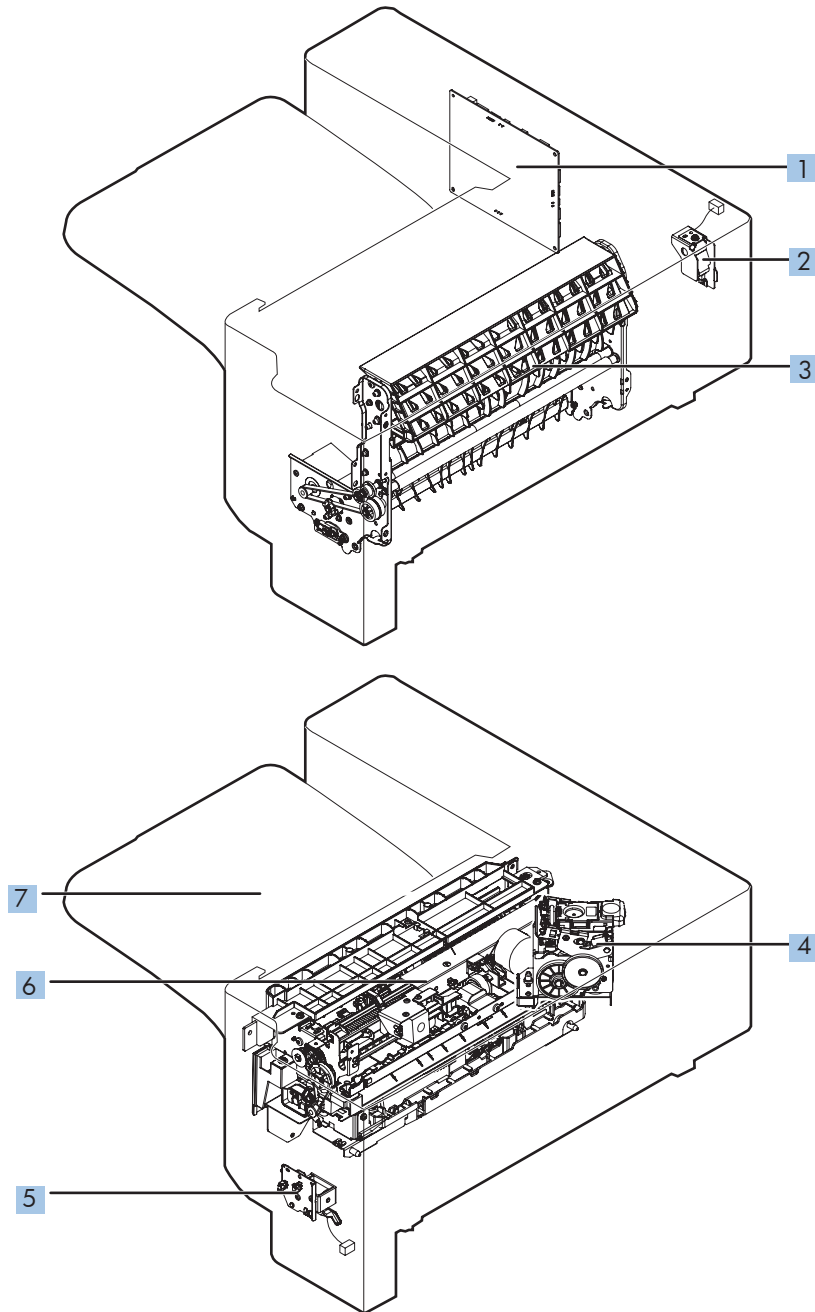
**Table 2-15 Stapler/stacker covers**

<b>Ref</b>	<b>Description</b>	<b>Part number</b>	<b>Qty</b>
1	Cover, front right	RC3-3324-000CN	1
2	Cover, front left	RC3-3325-000CN	1
3	Cover, left lower	RC3-3331-000CN	1
4	Cover, rear	RM1-9980-000CN	1
5	Door, right	RM1-9440-000CN	1
6	Output bin (tray assembly)	RM1-9443-000CN	1
7	Cover, left rear	RC3-3326-000CN	1
Not shown	Cover, front inner	RM1-9981-000CN	1
Not shown	Cover, stapler	RM1-9982-000CN	1
Not shown	Right door, lower guide assembly	RM1-9989-000CN	1
Not shown	Cover, right door cable, small	RC3-3323-000CN	1



## Stapler/stacker components

Figure 2-13 Stapler/stacker components

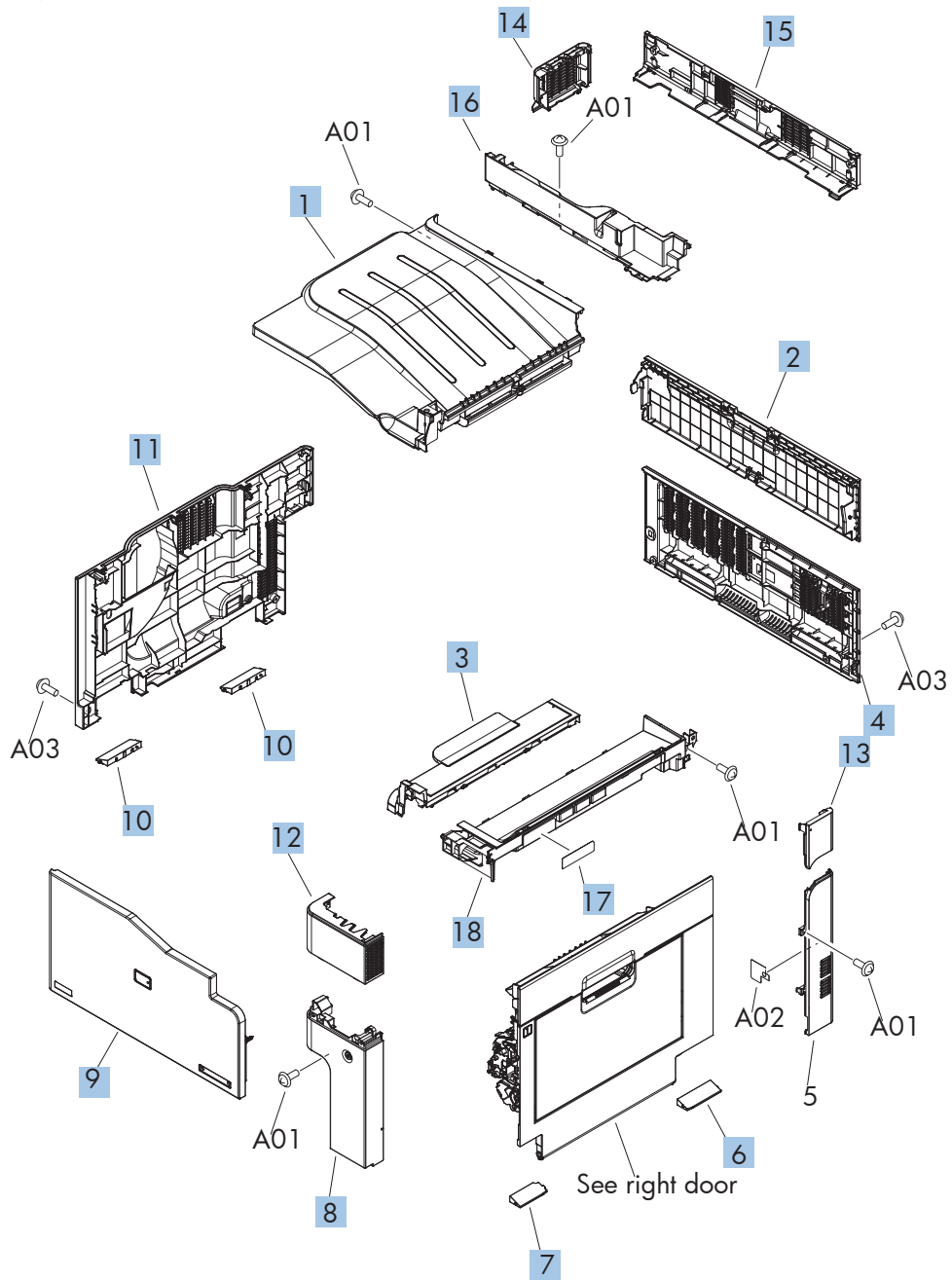


**Table 2-16 Stapler/stacker components**

<b>Ref</b>	<b>Description</b>	<b>Part number</b>	<b>Qty</b>
1	PCA, main controller	RM1-9459-000CN	1
2	Switch, door assembly	RM1-9445-000CN	1
3	Feed guide assembly	RM1-9441-000CN	1
4	Stapler assembly	RM1-9446-000CN	1
5	Solenoid, flapper assembly	RM1-9444-000CN	1
6	Operation assembly	RM1-9442-000CN	1
7	Tray assembly	RM1-9443-000CN	1
Not shown	Paper feed center guide assembly	RM1-9988-000CN	1

# Covers

Figure 2-14 Covers

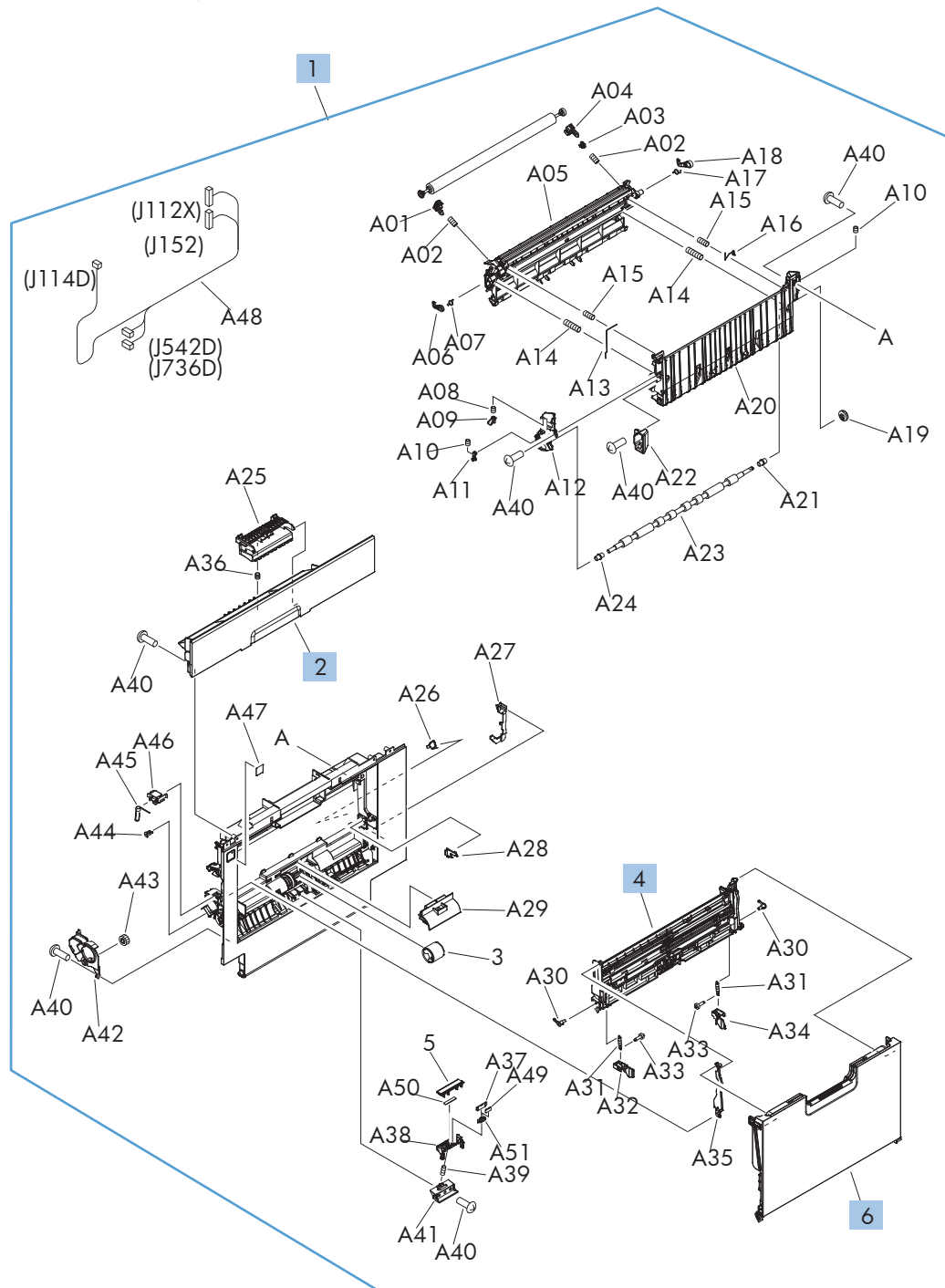


**Table 2-17 Covers**

<b>Ref</b>	<b>Description</b>	<b>Part number</b>	<b>Qty</b>
1	Cover, top	RM1-9358-000CN	1
2	Door, toner collection unit access	RC2-7034-000CN	1
3	Cover, delivery	RM1-9383-000CN	1
4	Cover, rear	RM1-9362-000CN	1
5	Cover, right rear	RM1-7142-000CN	1
6	Cover, handle, lower-right, rear	RC2-6626-000CN	1
7	Cover, handle, lower-right, front	RC2-6627-000CN	1
8	Cover, right front	RM1-9359-000CN	1
9	Kit, front cover assembly with HP jewel	CE707-67902	1
10	Cover, handle, lower-left	RC2-6625-000CN	2
11	Cover, left	RM1-9363-000CN	1
12	Cover, right upper	RC2-9155-000CN	1
13	Cover, right rear	RC2-9157-000CN	1
14	Cover, left rear	RC2-9158-000CN	1
15	Cover, rear upper	RC2-9160-000CN	1
16	Wall, inner	RC3-2321-000CN	1
17	Label, fixing (fuser) access	RC3-2334-000CN	1
18	Cover, right upper	RM1-9367-000CN	1

# Right door

Figure 2-15 Right door



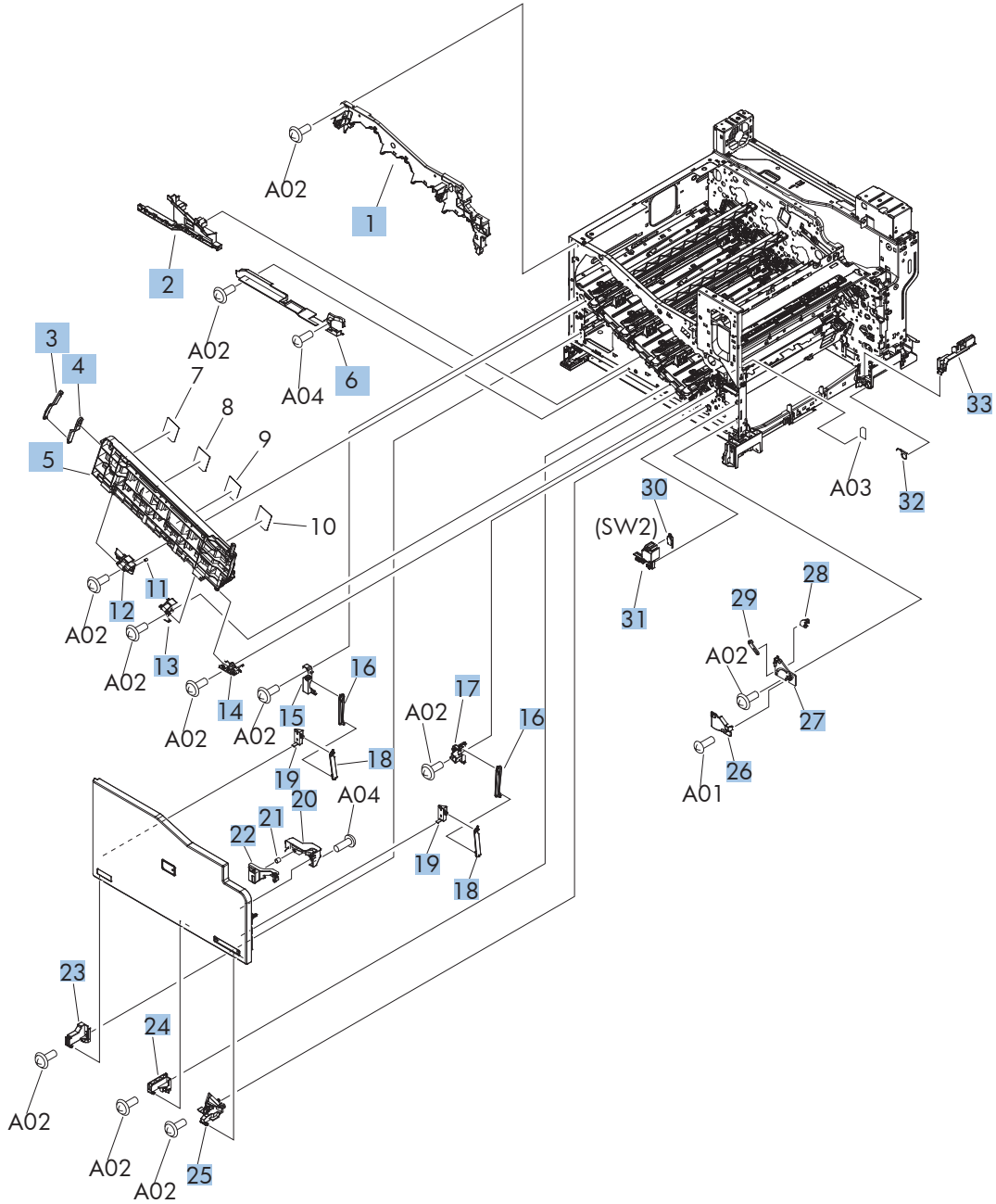
**Table 2-18 Right door**

<b>Ref</b>	<b>Description</b>	<b>Part number</b>	<b>Qty</b>
1	Door, right	RM1-9360-000CN	1
2	Cover, right upper	RM1-9361-000CN	1
4	MP (Tray 1) lifter plate assembly	RM1-9389-000CN	1
6	MP tray (Tray 1) assembly	RM1-6045-000CN	1

# Internal assemblies

## Internal assemblies (1 of 8)

Figure 2-16 Internal assemblies (1 of 8)



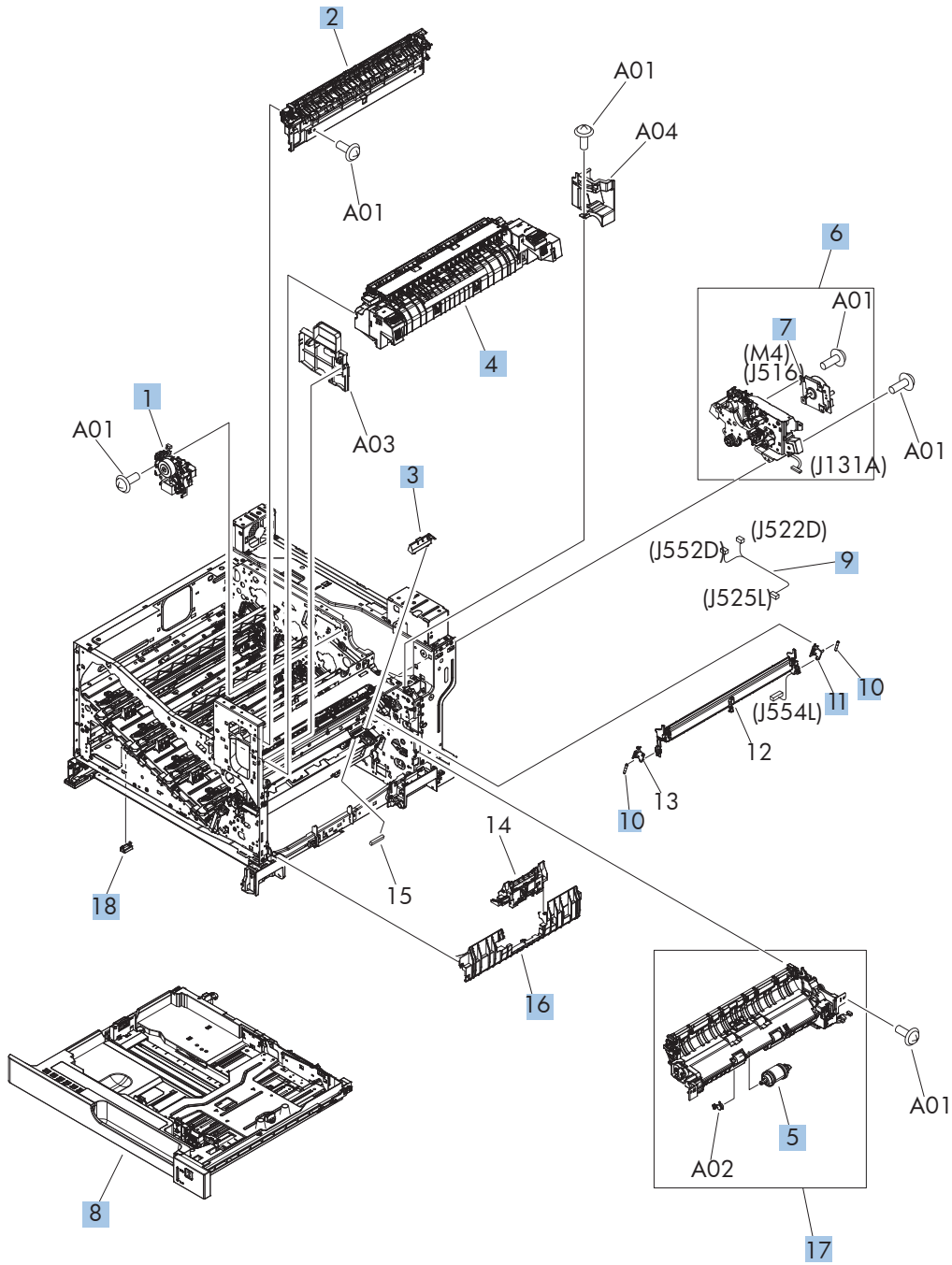
**Table 2-19 Internal assemblies (1 of 8)**

<b>Ref</b>	<b>Description</b>	<b>Part number</b>	<b>Qty</b>
1	Cartridge guide assembly, upper	RM1-5990-000CN	1
2	Duct, front	RC2-7300-000CN	1
3	Stopper, inner door, 1	RC2-6719-000CN	1
4	Stopper, inner door, 2	RC2-6736-000CN	1
5	Kit, door inner	CC522-67906	1
6	Cover, lower front	RC2-6737-000CN	1
11	Spring, grounding	RC2-7209-000CN	1
12	Hinge, inner door, left	RC2-6716-000CN	1
13	Hinge, inner door, right	RC2-6712-000CN	1
14	Rail, cartridge auxiliary	RC2-6724-000CN	1
15	Mount, cover arm, front	RC2-6735-000CN	1
16	Arm, front cover, 1	RC2-6732-000CN	2
17	Mount, inner door toggle	RC2-6717-000CN	1
18	Arm, front cover, 2	RC2-6733-000CN	2
19	Mount, stopper arm	RC2-6745-000CN	2
20	Mount, inner door rail	RC2-6743-000CN	1
21	Spring, compression	RU6-2721-000CN	1
22	Lever, inner door pressure	RC2-6744-000CN	1
23	Hinge, front cover, left	RC2-6713-000CN	1
24	Hinge, front cover, center	RC2-6738-000CN	1
25	Hinge, front cover, right	RC2-6715-000CN	1
26	Cover, guide	RC2-7204-000CN	1
27	Guide, arm, front	RC2-6632-000CN	1
28	Lever, push	RC2-7198-000CN	1
29	Lever, lift, 2	RC2-7200-000CN	1
30	Microswitch	WC4-5251-000CN	1
31	Holder, interlock switch	RC2-6689-000CN	1
32	Spring, leaf, grounding	RC2-7092-000CN	1
33	Cover, handle guide	RC2-6670-000CN	1



## Internal assemblies (2 of 8)

Figure 2-17 Internal assemblies (2 of 8)

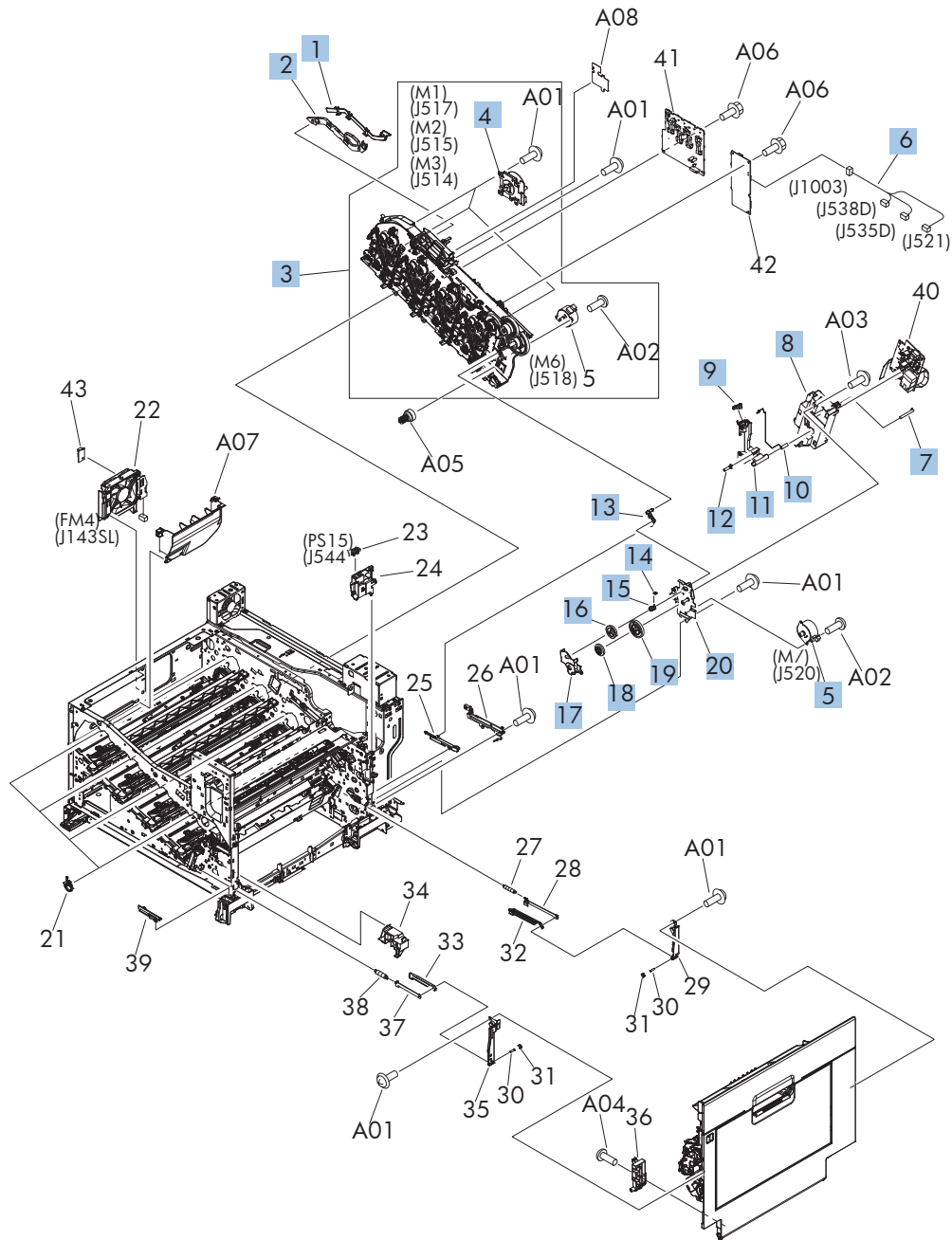


**Table 2-20 Internal assemblies (2 of 8)**

<b>Ref</b>	<b>Description</b>	<b>Part number</b>	<b>Qty</b>
1	Reverse drive assembly	RM2-0698-000CN	1
2	Paper delivery assembly	RM1-9377-000CN	1
3	Cover, cable, protective	RC2-6832-000CN	1
4	Kit, fuser replacement 110V	CC522-67904	1
4	Kit, fuser replacement 220V	CC522-67926	1
5	Kit, paper pick roller and separation roller	CC522-67927	1
6	Kit, fuser drive assembly	CE707-67904	1
7	Motor, fixing (fuser)	RM1-6074-000CN	1
8	Kit, Tray 2	CE522-67913	1
9	Cable, SB joint	RM1-6867-000CN	1
10	Spring, tension	RU6-2710-000CN	2
11	Support, frame	RC2-7197-000CN	1
12	Sensor, registration	RM1-7922-000CN	1
13	Support, frame	RC2-7196-000CN	1
15	Connector, snap tight, BK	VS1-7207-019CN	1
16	Guide, paper feed	RC2-7297-000CN	1
17	Paper pickup assembly (Tray 2)	CE522-67903	1
18	Cover, connector, lower	RC2-6642-000CN	1
Not shown	Guide	RC2-6551-000CN	1

## Internal assemblies (3 of 8)

Figure 2-18 Internal assemblies (3 of 8)

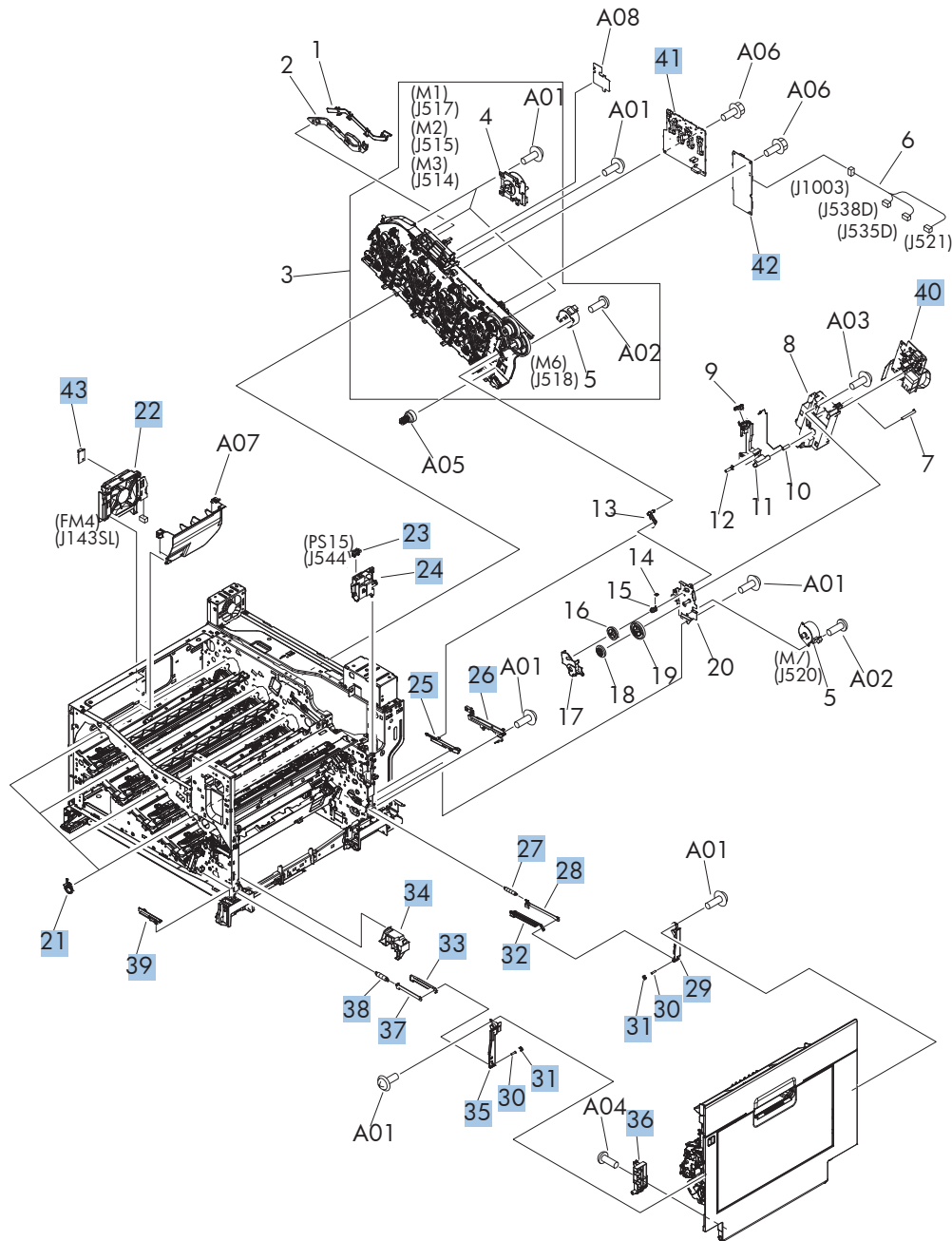


**Table 2-21 Internal assemblies (3 of 8)**

<b>Ref</b>	<b>Description</b>	<b>Part number</b>	<b>Qty</b>
1	Cover, main drive cable, lower	RC2-6574-000CN	1
2	Guide, main drive cable	RC2-6659-000CN	1
3	Kit, main drive assembly duplex	CE708-67901	1
4	Motor, DC	RM1-6088-000CN	3
5	Motor, DC stepping (M6, M7)	RK2-3298-000CN	2
6	Cable, feed joint	RM1-6846-000CN	1
7	Spring, grounding	RU6-2772-000CN	1
8	Holder, 2cnd transfer H.V.T.	RC2-6681-010CN	1
9	Cap, T2 contact	RC2-6691-000CN	1
10	Spring, contact	RU6-2771-000CN	2
11	Holder, 2cnd power dispatching	RC2-6682-000CN	1
12	Spring, grounding	RC2-6700-000CN	1
13	Link, ITB coupling release	RC2-6823-000CN	1
14	Spring, tension	RU6-2671-000	1
15	Hook, duplexing spring	RC2-6932-000CN	1
16	Gear, 25T	RU6-0771-000CN	1
17	Cover, duplexing gear	RC2-6931-000CN	1
18	Gear, 25T	RU6-0772-000CN	1
19	Gear, 74T	RU6-0773-000CN	1
20	Plate, duplexing drive gear	RL1-2266-000CN	1

## Internal assemblies (4 of 8)

Figure 2-19 Internal assemblies (4 of 8)

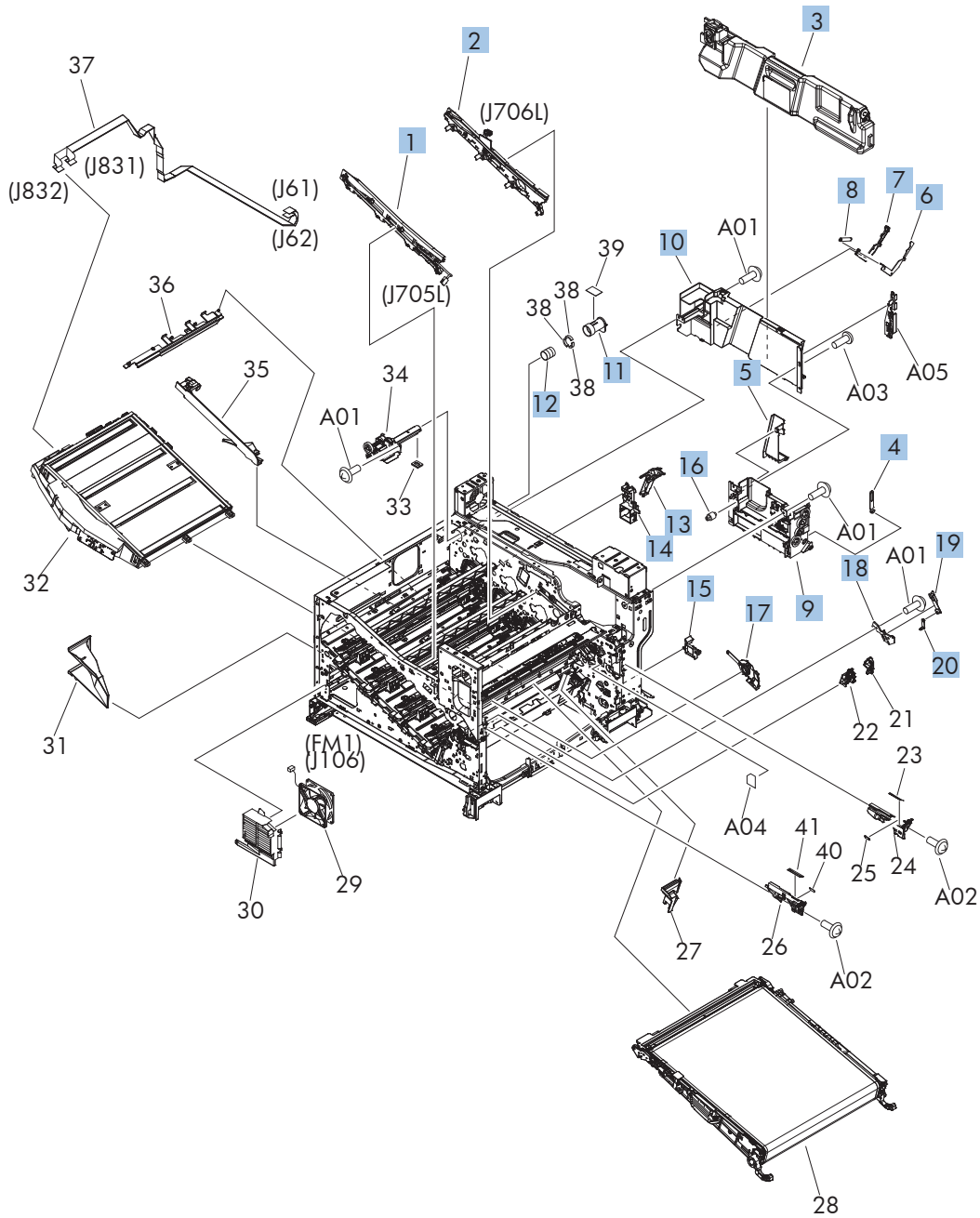


**Table 2-22 Internal assemblies (4 of 8)**

<b>Ref</b>	<b>Description</b>	<b>Part number</b>	<b>Qty</b>
21	Support, developing coupling	RC2-6811-000CN	4
22	Cartridge fan (FM4)	RM1-9364-000CN	1
23	Photointerrupter	WG8-5935-000CN	1
24	Holder, door detect, right	RC3-4687-000CN	1
25	Arm, ITB coupling release	RC2-6824-000CN	1
26	Rail, door link, rear lower	RC2-6635-000CN	1
27	Spring, tension	RU6-2744-000CN	1
28	Plate, right door link, rear	RC2-7273-000CN	1
29	Plate, right door link fixed, RR	RL1-2282-000CN	1
30	Shaft, right door link	RU5-4979-000CN	2
31	Lock, door link, right	RC2-7234-000CN	2
32	Link, right door, 2 rear	RC2-7236-000CN	1
33	Link, right door, 2 front	RC2-7233-010CN	1
34	Duct, joint	RC2-8360-000CN	1
35	Plate, right door link fixed, FR	RL1-2281-000CN	1
36	Hinge, right door, front	RC2-7094-000CN	1
37	Plate, right door link fixed, front	RC2-7272-010CN	1
38	Spring, tension	RU6-2727-000CN	1
39	Rail, door link, front lower	RC2-6634-000CN	1
40	PCA, 2cnd transfer H.V.P.	RM1-6802-000CN	1
41	PCA, 1st transfer H.V.P.	RM1-7004-000CN	1
42	PCA, driver	RM1-8899-000CN	1
43	Sensor, environmental PCA	RK2-2884-000CN	1

## Internal assemblies (5 of 8)

Figure 2-20 Internal assemblies (5 of 8)



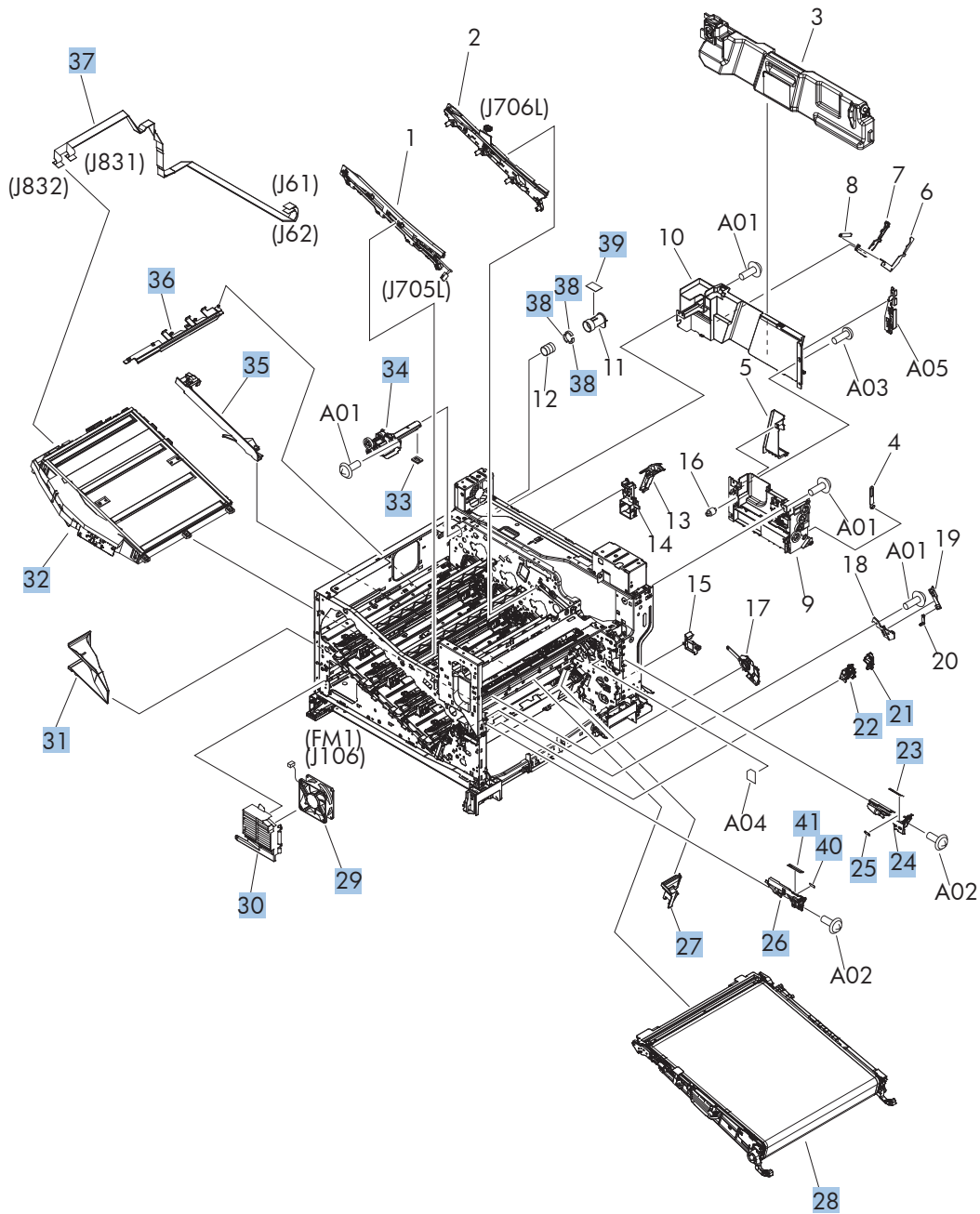
**Table 2-23 Internal assemblies (5 of 8)**

<b>Ref</b>	<b>Description</b>	<b>Part number</b>	<b>Qty</b>
1	ITB guide rail assembly	RM1-6018-000CN	1
2	ITB guide rail assembly, R1	RM1-6037-000CN	1
3	Kit, toner collection unit (TCU)	CE980-67901	1
4	Arm, waste toner, left	RC2-7035-000CN	1
5	Cover, waster toner, 3	RC2-6963-000CN	1
6	Plate, arm reinforcement	RC2-9649-000CN	1
7	Arm, waste toner, right	RC2-7036-000CN	1
8	Spring, tension	RU6-2831-000CN	1
9	Cover, waste toner	RM1-6012-000CN	1
10	Cover, waste toner 2	RC2-6962-000CN	1
11	Shutter, exhaust	RC2-7010-000CN	1
12	Spring, compression	RU6-2683-000CN	1
13	Guide, fixing (fuser) AC cable	RC2-6693-000CN	1
14	Guide, LVT cable	RC2-6662-000CN	1
15	Clamp, edge	RC2-6663-000CN	1
16	Gear, link worm	RU6-0795-000CN	1
17	ITB guide rail	RM1-6019-000CN	1
18	Guide, slide	RC2-7203-000CN	1
19	Slider, push	RC2-7201-000CN	1
20	Lever, lift 1	RC2-7199-000CN	1



## Internal assemblies (6 of 8)

Figure 2-21 Internal assemblies (6 of 8)

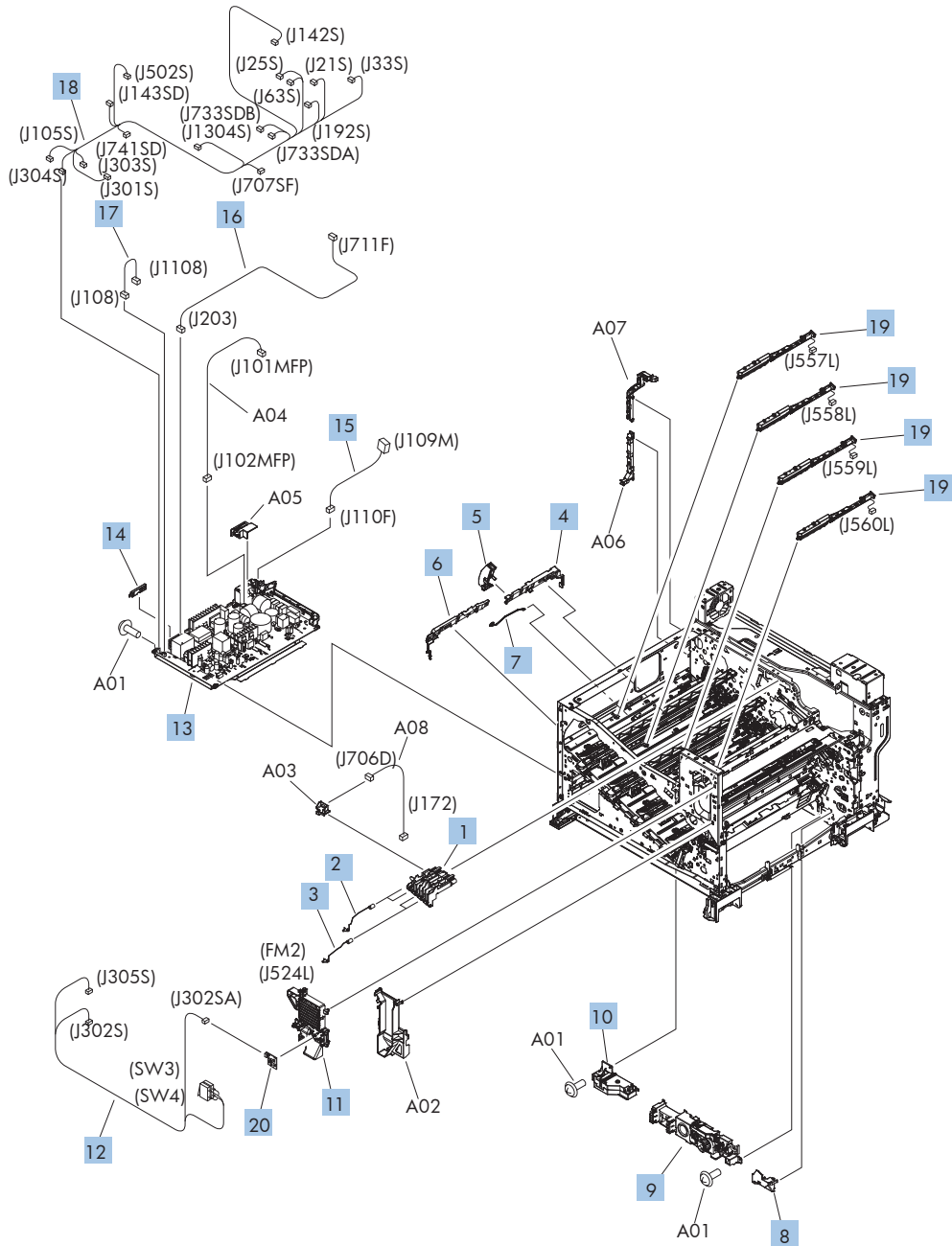


**Table 2-24 Internal assemblies (6 of 8)**

<b>Ref</b>	<b>Description</b>	<b>Part number</b>	<b>Qty</b>
21	Cover, main crossmember cable	RC2-6650-000CN	1
22	Guide, main crossmember cable	RC2-6600-000CN	1
23	Label, ITB set, RH	RU5-8807-000CN	1
24	Rail, ITB guide	RC2-7185-000CN	1
25	Label, ITB set, RV	RU5-8805-000CN	1
26	Rail, ITB guide, F3	RC2-7193-000CN	1
27	Guide, inside cable	RC2-6589-000CN	1
28	Kit, intermediate transfer belt (ITB) repair	CC522-67911	1
29	Fan (FM1; power supply)	RK2-2276-000CN	1
30	Holder, power supply fan	RC2-7299-000CN	1
31	Duct, fan, 1	RC2-8388-000CN	1
32	Laser/scanner assembly	RM1-6122-070CN	1
33	Seal, toner supporter guide	RC2-7018-000CN	1
34	Toner feed assembly	RM1-6040-010CN	1
35	Guide, laser	RC2-6628-000CN	1
36	Holder, flexible flat cable (FFC)	RC2-6655-000CN	1
37	FFC assembly	RM1-6804-000CN	1
38	Seal, slide shutter	RC3-1014-000CN	3
39	Sheet, slide seal	RC3-1013-000CN	1
40	Label, ITB insert, FV	RU5-8804-000CN	1
41	Label, ITB insert, FH	RU5-8806-000CN	1
Not shown	Lock plate, front	RL1-2235-000CN	1
Not shown	Lock plate, 2cnd transfer	RL1-2236-000CN	1
Not shown	Spring, torsion	RU6-2670-000CN	2

## Internal assemblies (7 of 8)

Figure 2-22 Internal assemblies (7 of 8)

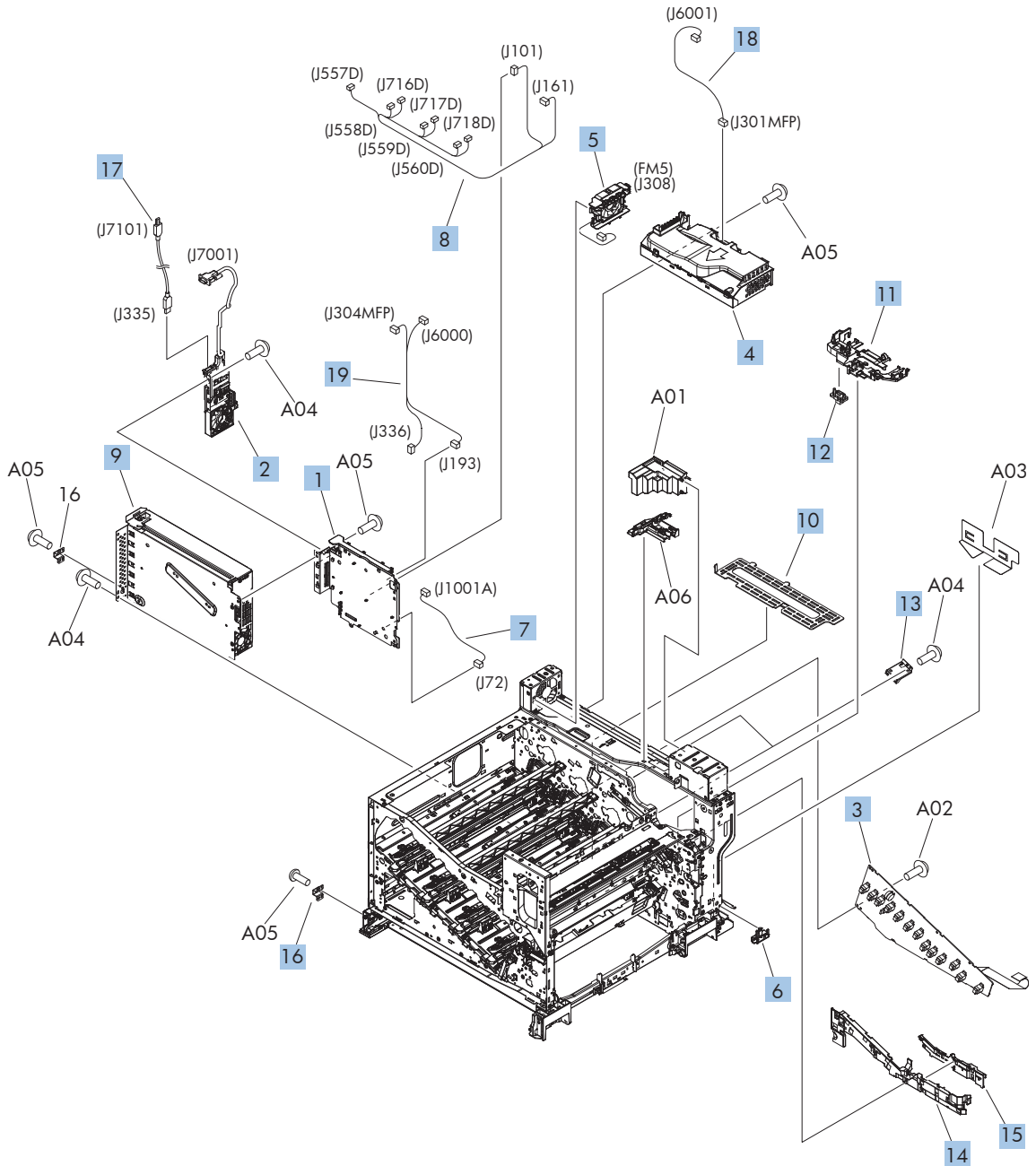


**Table 2-25 Internal assemblies (7 of 8)**

<b>Ref</b>	<b>Description</b>	<b>Part number</b>	<b>Qty</b>
1	Holder, 1st transfer power dispatching	RC2-6680-000CN	1
2	Spring, contact	RU6-2767-000CN	2
3	Spring, contact	RU6-2768-000CN	1
4	Guide, crossmember cable, rear	RC2-6588-000CN	1
5	Stopper, laser	RC2-6646-000CN	1
6	Guide, crossmember cable, front	RC2-6587-000CN	1
7	Spring, rod	RC2-6611-000CN	1
8	Cover, cable, right rear	RC2-8424-000CN	1
9	Lifter drive assembly	RM1-6039-000CN	1
10	Auto close assembly	RM1-6036-000CN	1
11	Duplexing fan (FM2)	RM1-9365-000CN	1
12	Cable assembly, switch	RM1-8903-000CN	1
13	Low-voltage power supply (110V-127V)	RM1-8895-000CN	1
13	Low-voltage power supply (220V-2450V)	RM1-8896-000CN	1
14	Guide, cable	RC3-0684-000CN	1
15	Cable, low-voltage AC joint	RM1-6811-000CN	1
16	Cable, low voltage	RM1-6807-000CN	1
17	Cable, low voltage, test	RM1-6813-000CN	1
18	Cable assembly, left	RM1-8901-000CN	1
19	Toner remanet detect PCA	RM1-6779-000CN	4
20	Power switch PCA	RM1-6759-000CN	1

# Internal assemblies (8 of 8)

Figure 2-23 Internal assemblies (8 of 8)



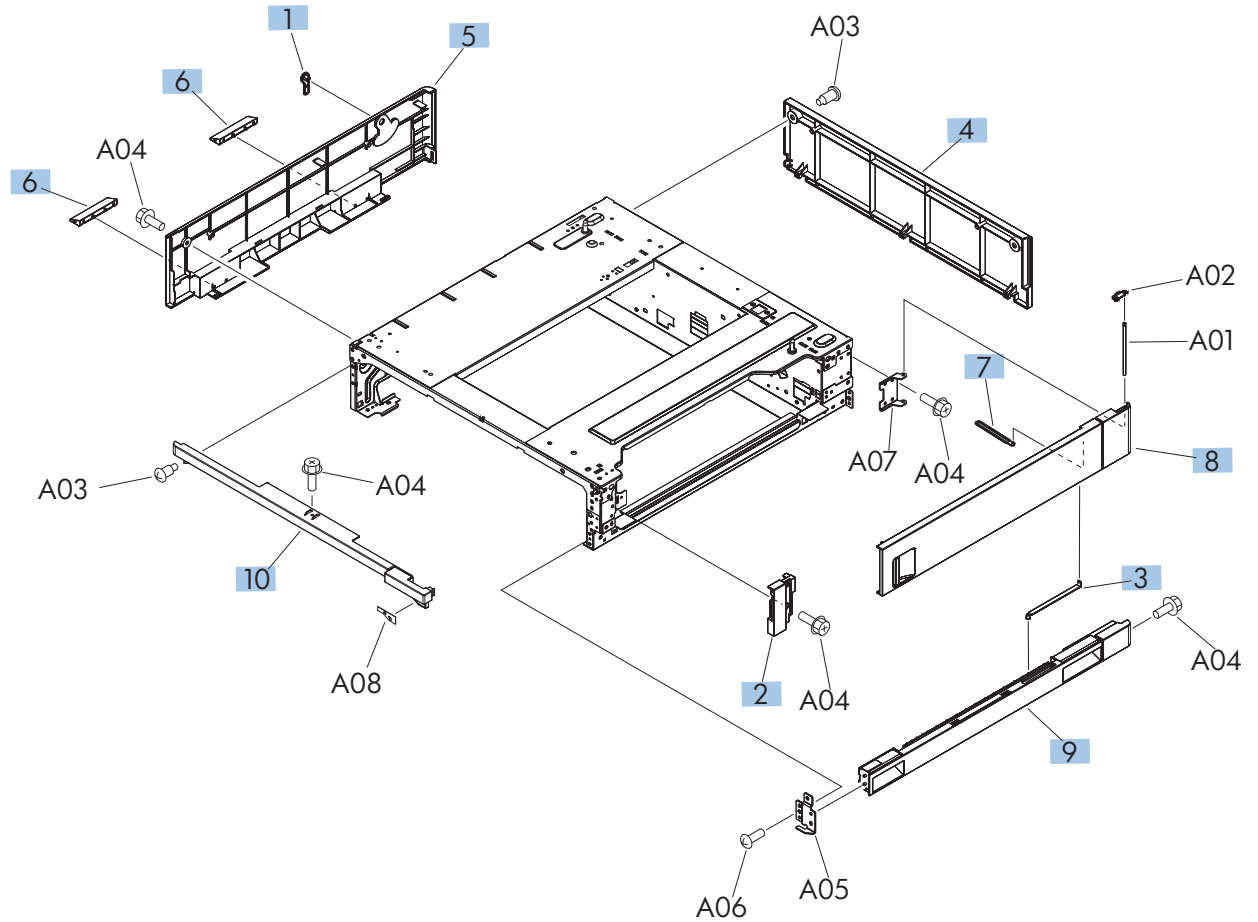
**Table 2-26 Internal assemblies (8 of 8)**

<b>Ref</b>	<b>Description</b>	<b>Part number</b>	<b>Qty</b>
1	DC controller PCA	RM1-9371-000CN	1
2	Interconnect PCA (ICB) (inner connecting PCA)	RM1-9368-000CN	1
3	Imaging high-voltage PCA assembly	RM1-6800-000CN	1
4	Sub power supply	RM1-9366-000CN	1
5	Sub power supply fan (FM5)	RM1-9384-000CN	1
6	Guide, DC controller, support cable	RC2-6665-000CN	1
7	Cable, 1st transfer	RM1-6822-000CN	1
8	Cable, rear	RM1-6863-000CN	1
9	Formatter cage	RM1-9382-000CN	1
Not shown	Kit, formatter replacement PCA	CC522-67901	1
10	Plate, FFC protective	RC2-9687-000CN	1
11	Holder, paper pickup connector	RC2-6638-000CN	1
12	Connector, 8P	VS1-7514-008CN	1
13	Plate, box pillar	RC2-6673-000CN	2
14	Guide, imaging H.V.T. cable	RC2-6661-000CN	1
15	Cover, imaging H.V.T. cable	RC2-6573-000CN	1
16	Crossmember, cover, left	RC2-6760-000CN	2
17	Cable, USB	RK2-4329-000CN	1
18	Cable assembly, sub power supply	RM1-8905-000CN	1
19	Cable assembly, stacker	RM1-8906-000CN	1

# 1x500-sheet paper feeder

## 1x500-sheet paper feeder covers

Figure 2-24 1x500-sheet paper feeder covers



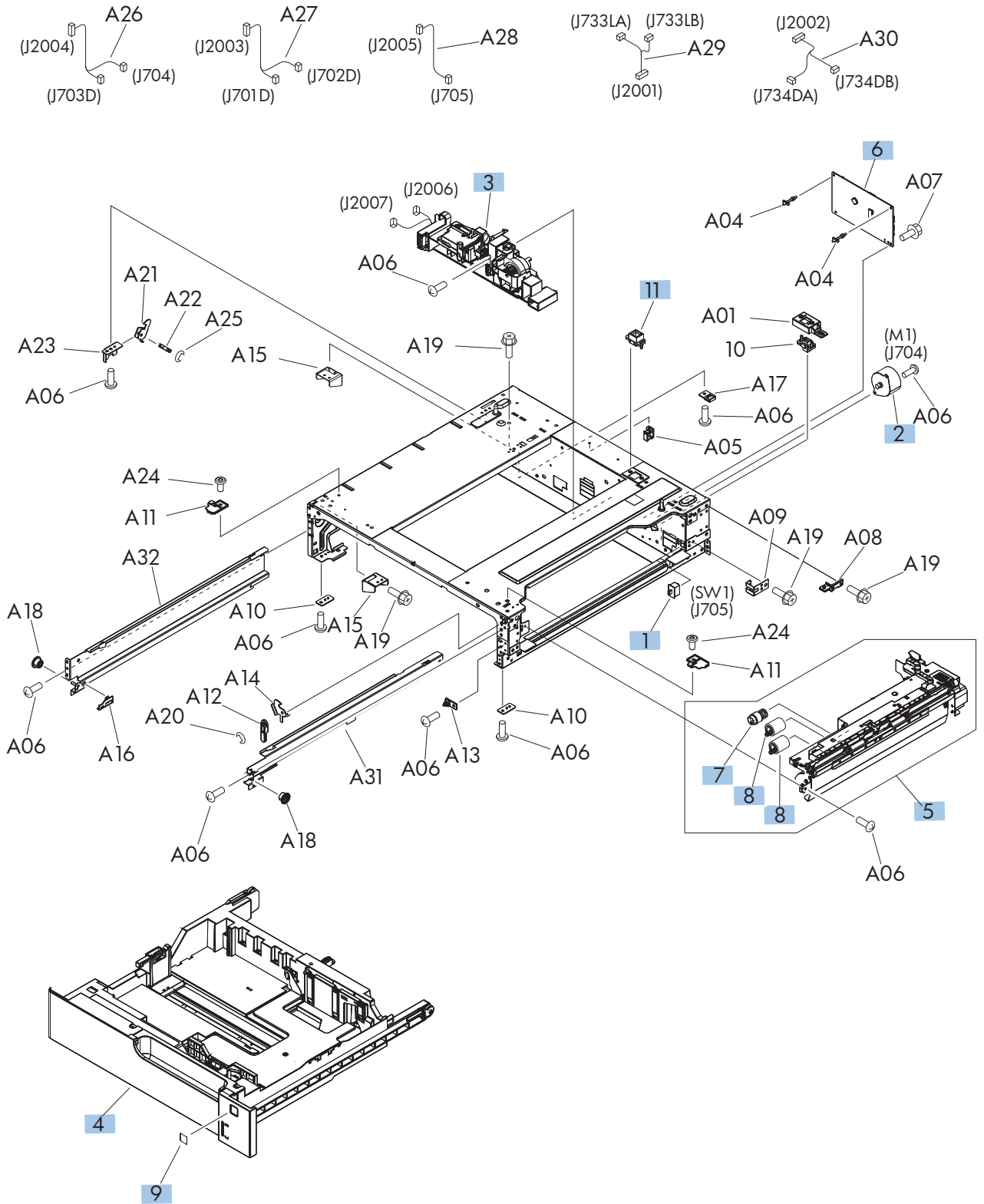
**Table 2-27 1x500-sheet paper feeder covers**

<b>Ref</b>	<b>Description</b>	<b>Part number</b>	<b>Qty</b>
1	Handle, lock, rear	RC2-9303-000CN	1
2	Cover, right front	RC2-9320-000CN	1
3	Link, right door, lower	RC2-9327-000CN	1
4	Cover, rear	RC2-9330-000CN	1
5	Cover, left	RC2-9331-000CN	1
6	Cover, handle lower	RC2-9332-000CN	2
7	Link, right door, upper	RC2-9335-000CN	1
8	Right door assembly	RM1-6946-000CN	1
9	Right lower cover assembly	RM1-6948-000CN	1
10	Front upper cover assembly	RM1-6949-000CN	1



# 1x500-sheet paper feeder components

Figure 2-25 1x500-sheet paper feeder components



**Table 2-28 1x500-sheet paper feeder components**

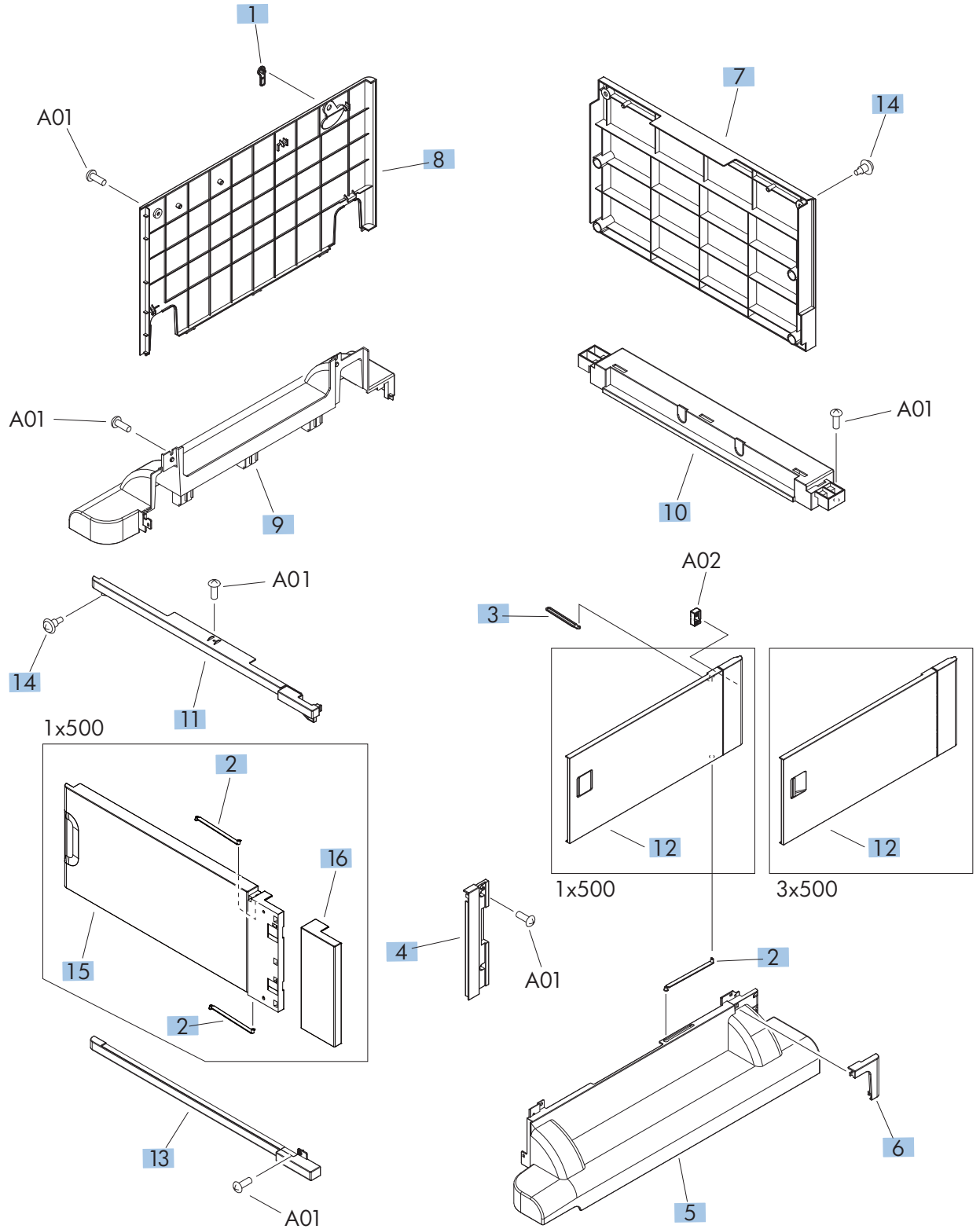
<b>Ref</b>	<b>Description</b>	<b>Part number</b>	<b>Qty</b>
1	Switch, button	WC2-5512-000CN	1
2	Motor, stepping, DC	RK2-1331-000CN	1
3	Lifter drive assembly	RM1-3819-000CN	1
4	Tray 3 - 6 (1x500, 1x500 w/stand, 3x500)	CC522-67914	1
5	Paper pickup assembly	RM1-6944-000CN	1
6	Paper feeder controller PCA	RM1-6987-000CN	1
7	Kit, roller pickup <sup>1</sup>	CC522-67909	1
8	Kit, feed roller assembly <sup>1</sup>	CC522-67909	1
9	Label, cassette number	CE707-00001	1
11	Connector, 8P	VS1-7514-008CN	1

<sup>1</sup> This service kit contains four pickup and four feed rollers.

# 1x500-sheet and 3x500-sheet paper deck

## 1x500-sheet and 3x500-sheet paper deck covers

Figure 2-26 1x500-sheet and 3x500-sheet paper deck covers

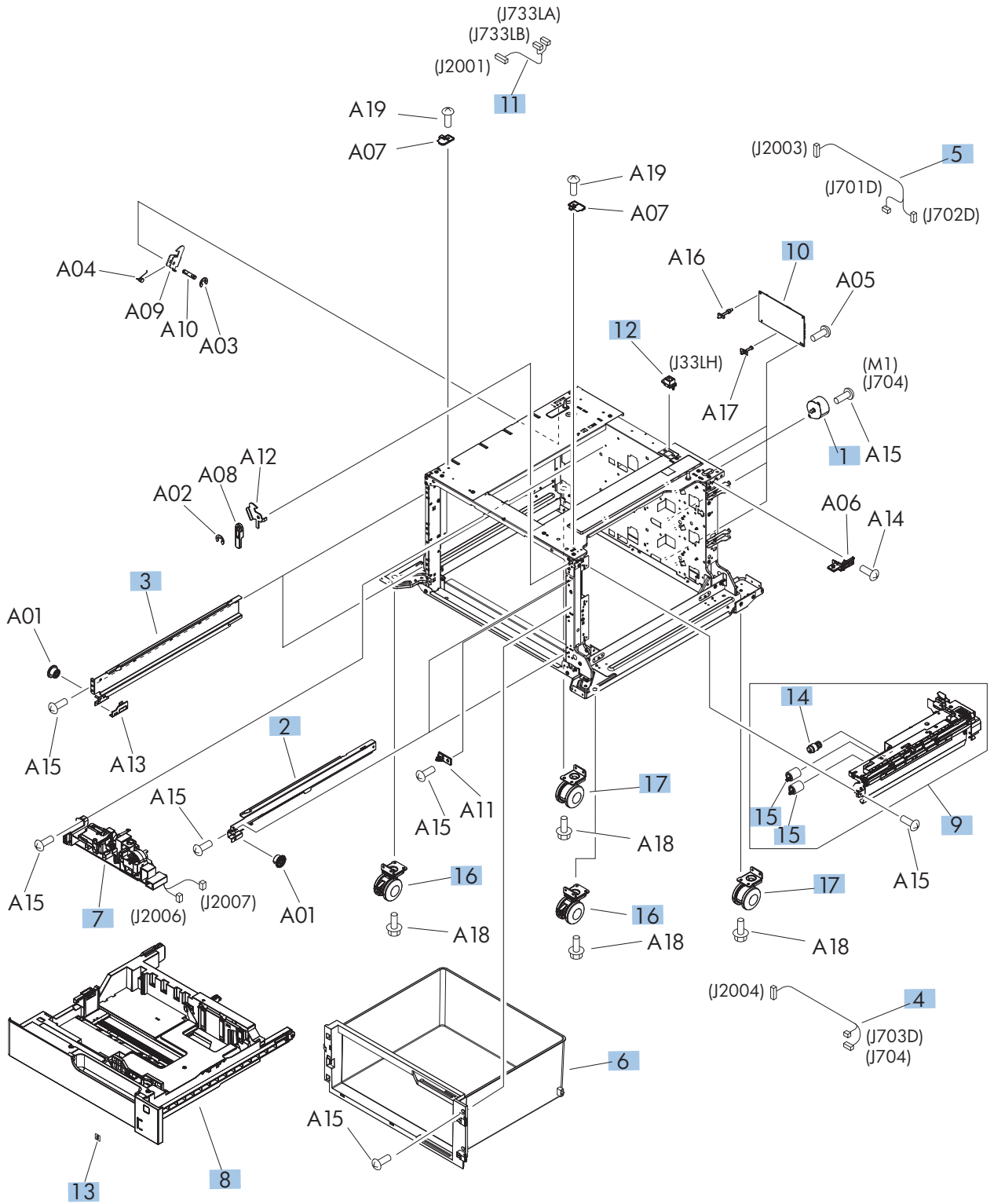


**Table 2-29 1x500-sheet and 3x500-sheet paper deck covers**

<b>Ref</b>	<b>Description</b>	<b>Part number</b>	<b>Qty</b>
1	Handle, lock, rear	RC2-9303-000CN	1
2	Link, right door, lower	RC2-9327-000CN	3
3	Link, right door, upper	RC2-9335-000CN	1
4	Cover, right corner	RC2-9343-000CN	1
5	Cover, right lower, 1	RC2-9346-000CN	1
6	Cover, right lower, 2	RC2-9347-000CN	1
7	Cover, rear	RC2-9348-000CN	1
8	Cover, left	RC2-9349-000CN	1
9	Cover, left lower	RC2-9350-000CN	1
10	Cover, rear lower	RC2-9357-000CN	1
11	Front upper cover assembly	RM1-6949-000CN	1
12	Right door assembly (1x500 paper deck)	RM1-6952-000CN	1
12	Right door assembly (3x500 paper deck)	RM1-6953-000CN	1
13	Front lower cover assembly	RM1-6958-000CN	1
14	Screw, stepped	RU5-9056-000CN	3
15	Door, stock, 1 (1x500 paper deck only)	RC2-9353-000CN	1
16	Door, stock, 2 (1x500 paper deck only)	RC2-9354-000CN	1

# 1x500-sheet paper deck components

Figure 2-27 1x500-sheet paper deck components



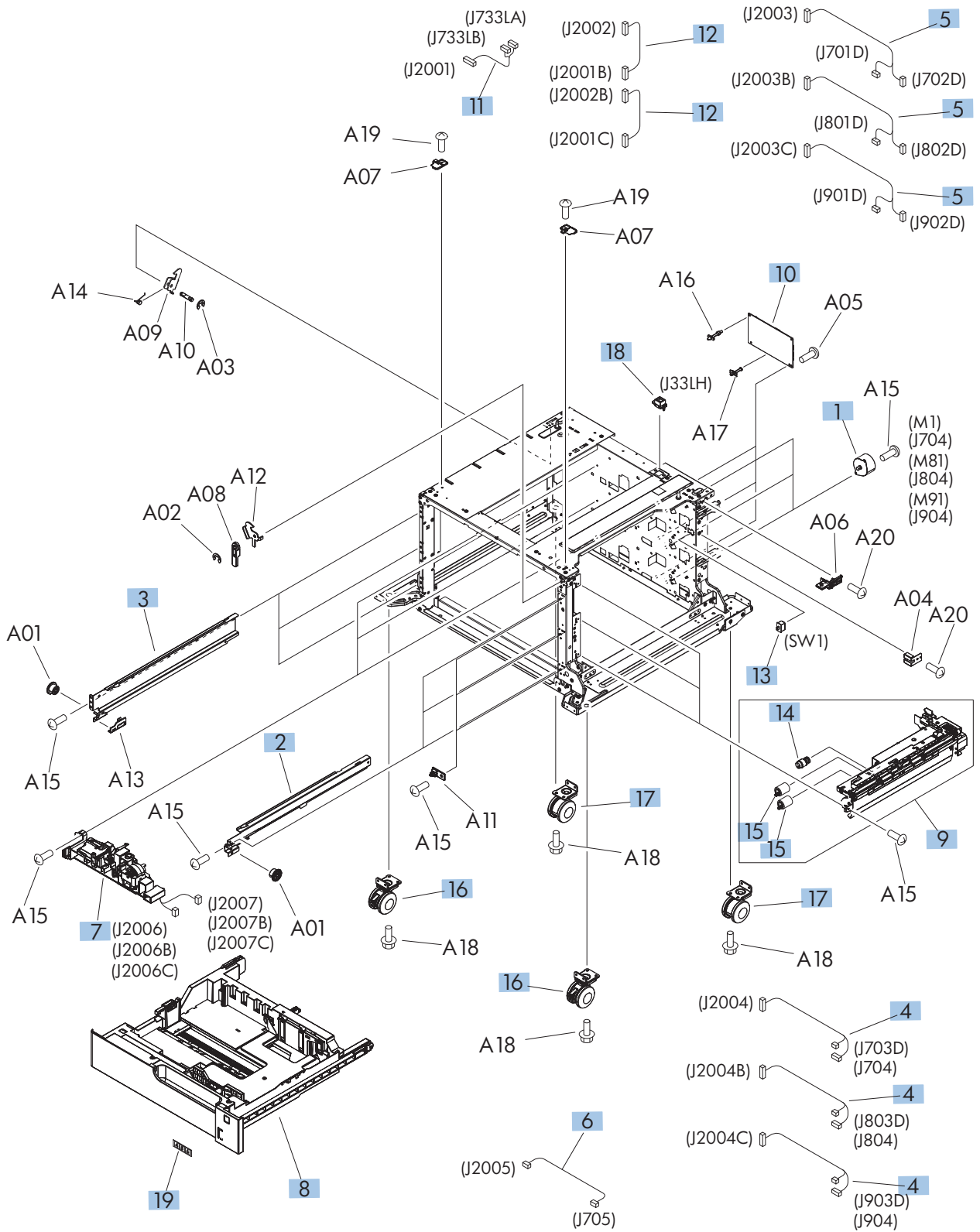
**Table 2-30 1x500-sheet paper deck components**

<b>Ref</b>	<b>Description</b>	<b>Part number</b>	<b>Qty</b>
1	Motor, stepping, DC	RK2-1331-000CN	1
2	Rail, cassette, right	RL1-1390-000CN	2
3	Rail, cassette, left	RL1-1391-000CN	2
4	Cable, paper pickup option	RM1-3575-000CN	1
5	Cable, multisensor	RM1-3647-000CN	1
6	Stock box assembly	RM1-6954-000CN	1
7	Lifter drive assembly	RM1-3819-000CN	1
8	Tray 3 - 6 replacement	CC522-67914	1
9	Paper pickup assembly <sup>1</sup>	RM1-6944-000CN	1
10	Feeder PCA	RM1-6988-000CN	1
11	Cable, engine interface	RM1-6991-000CN	1
12	Connector, 8P	VS1-7500-008CN	1
14	Kit, pickup roller <sup>1</sup>	CC522-67909	1
15	Kit, pickup and feed roller <sup>1</sup>	CC522-67909	1
16	Caster, double lock, front	RC1-9896-000CN	2
17	Caster, rear	RC3-2994-000CN	2

<sup>1</sup> This service kit contains four pickup and four feed rollers.

# 3x500-sheet paper deck components

Figure 2-28 3x500-sheet paper deck components



**Table 2-31 3x500-sheet paper deck components**

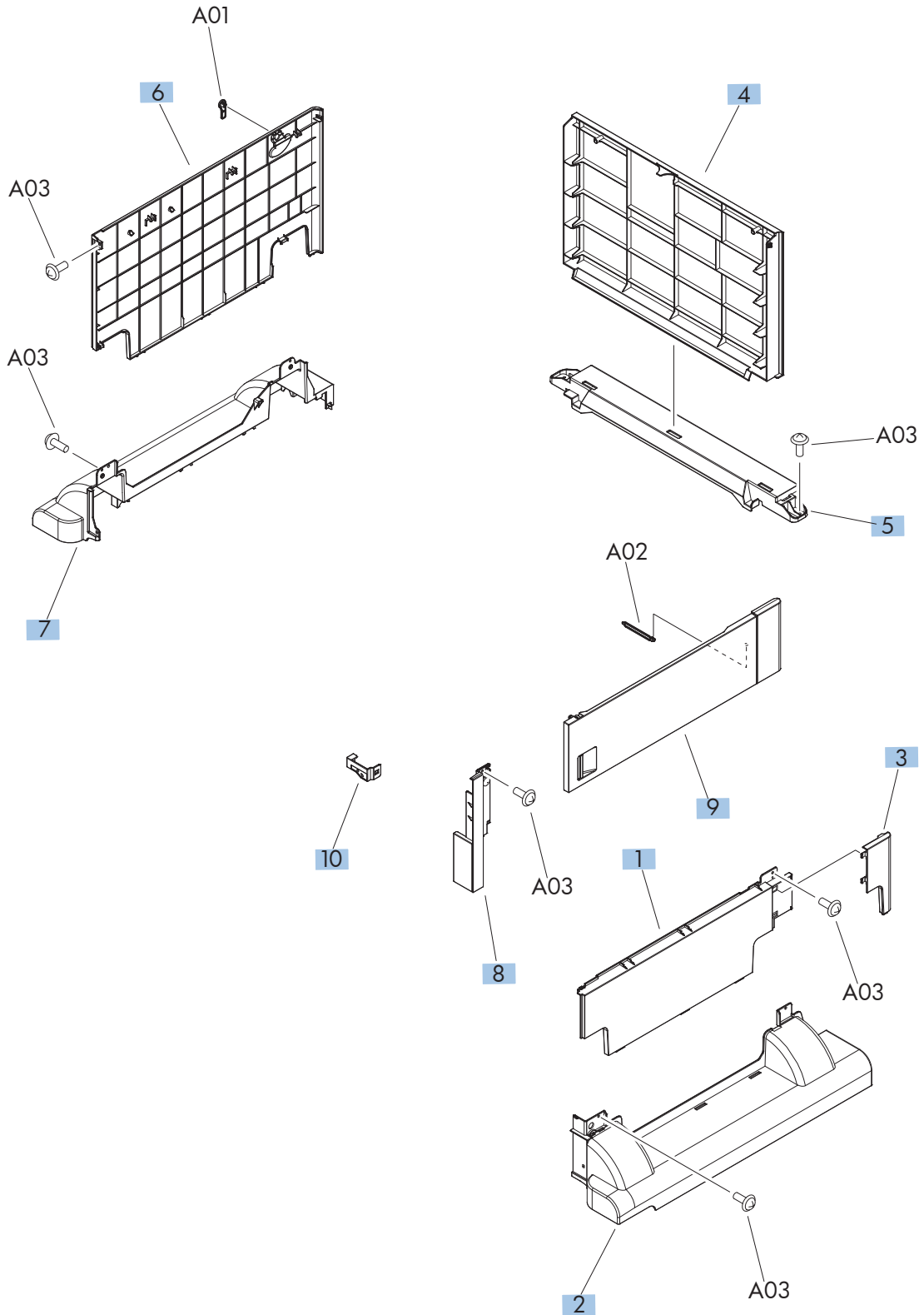
<b>Ref</b>	<b>Description</b>	<b>Part number</b>	<b>Qty</b>
1	Motor, stepping, DC	RK2-1331-000CN	3
2	Rail, cassette, right	RL1-1390-000CN	3
3	Rail, cassette, left	RL1-1391-000CN	3
4	Cable, paper pickup option	RM1-3575-000CN	3
5	Cable, multi sensor	RM1-3647-000CN	3
6	Cable, door open switch	RM1-3651-000CN	1
7	Lifter drive assembly	RM1-3819-000CN	3
8	Tray 3 - 6 replacement	CC522-67914	1
9	Paper pickup assembly	RM1-6944-000CN	3
10	Feeder PCA	RM1-6989-000CN	1
11	Cable, engine interface	RM1-6991-000CN	1
12	Cable, PCA joint	RM1-6992-000CN	2
13	Switch, button	WC2-5512-000CN	1
16	Caster, double lock, front	RC1-9896-000CN	2
17	Caster, rear	RC3-2994-000CN	2
18	Connector, 8P	VS1-7500-008CN	1



# High capacity input (HCI) feeder

## HCI covers

Figure 2-29 HCI covers

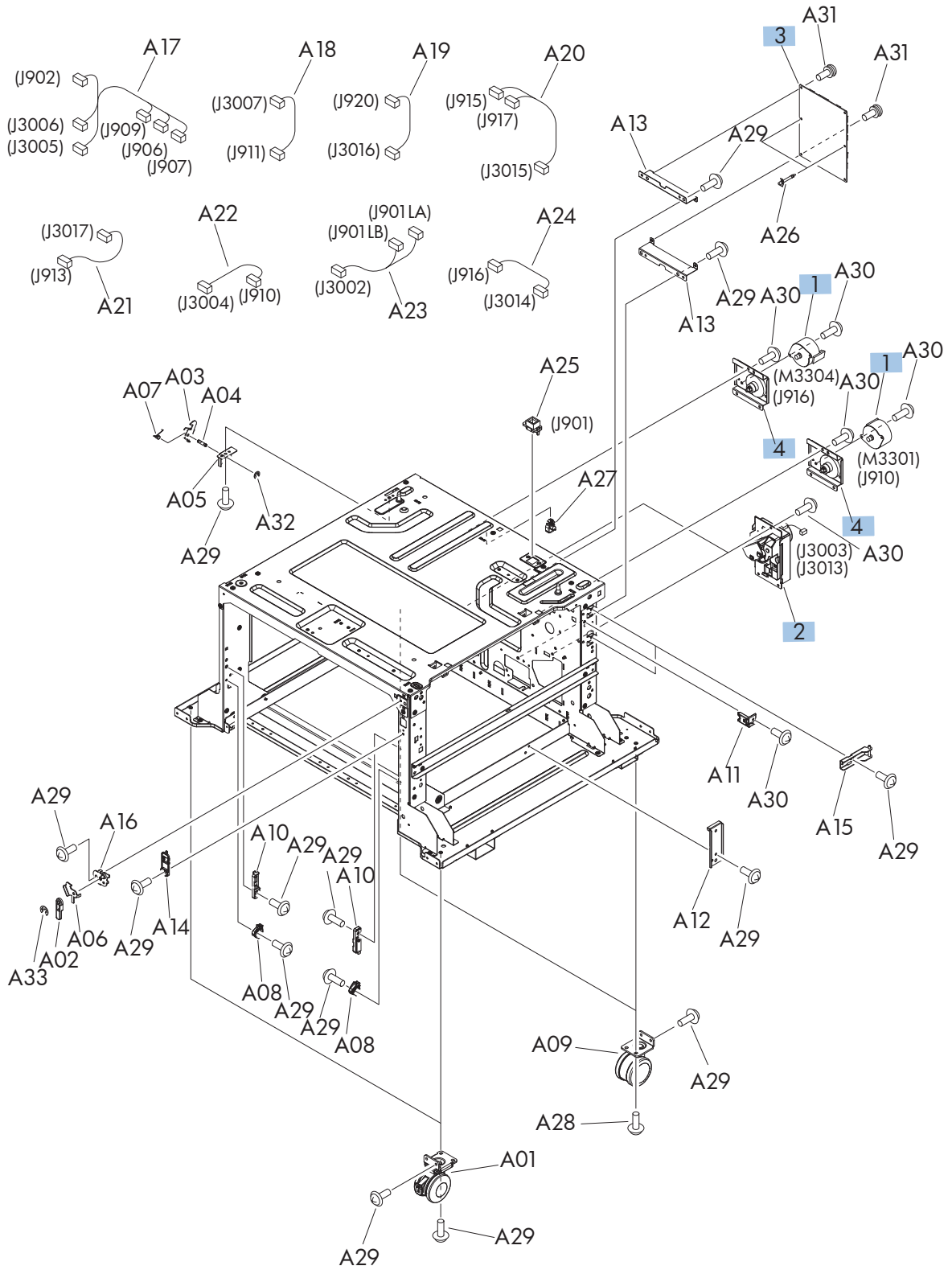


**Table 2-32 HCI covers**

<b>Ref</b>	<b>Description</b>	<b>Part number</b>	<b>Qty</b>
1	Cover, right center	RC3-3000-000CN	1
2	Cover, right lower	RC3-3001-000CN	1
3	Cover, right rear	RC3-3002-000CN	1
4	Cover, rear	RC3-3003-000CN	1
5	Cover, rear lower	RC3-3004-000CN	1
6	Cover, left	RC3-3005-000CN	1
7	Cover, left lower	RC3-3006-000CN	1
8	Cover, corner, right	RC3-3009-000CN	1
9	Right door assembly	RM1-8868-000CN	1
10	Right front lock cover assembly	RM1-9416-000CN	1

# HCI components (1 of 2)

Figure 2-30 HCI components (1 of 2)

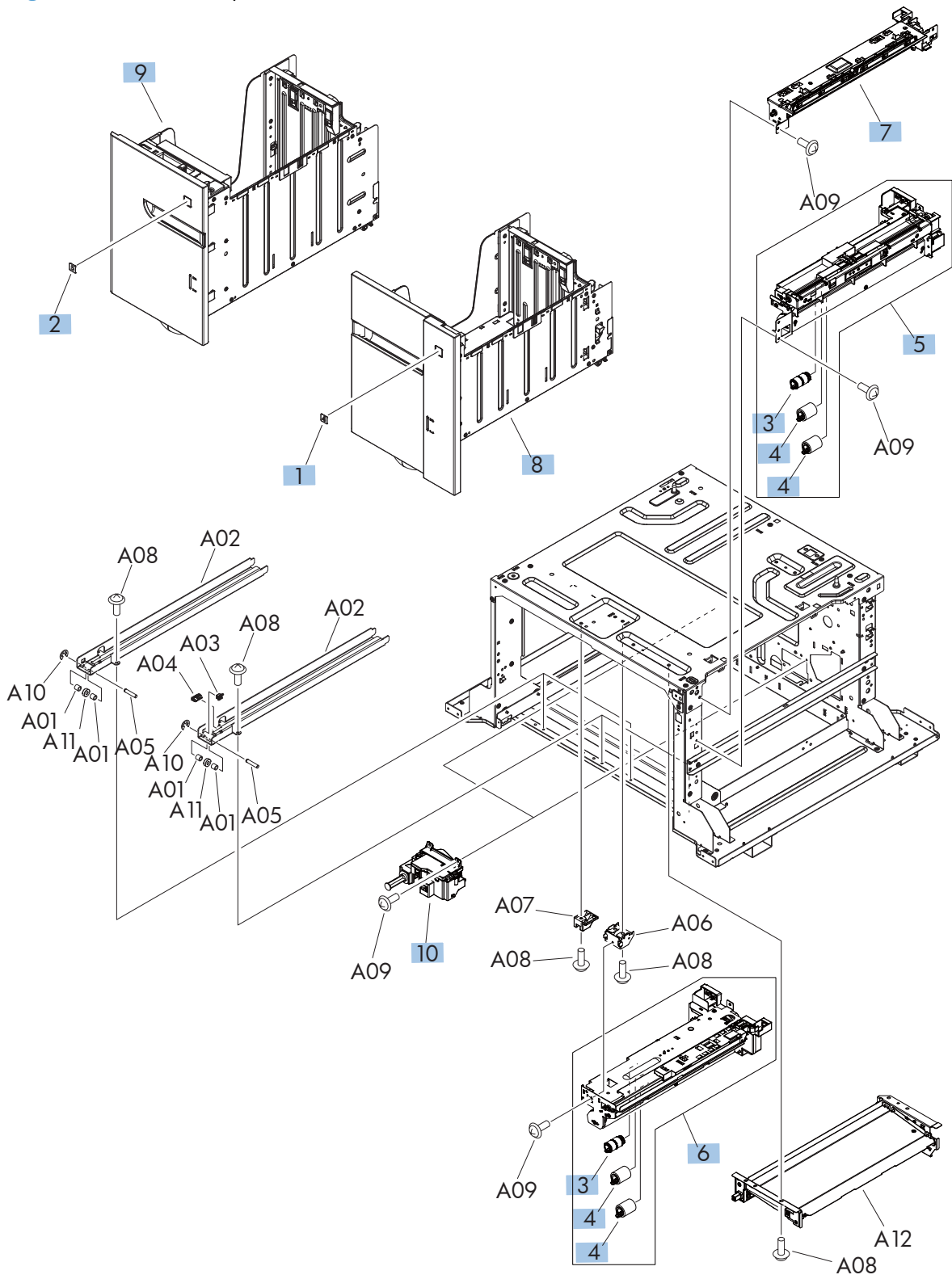


**Table 2-33 HCI components (1 of 2)**

<b>Ref</b>	<b>Description</b>	<b>Part number</b>	<b>Qty</b>
1	Motor, stepping, DC	RK2-1331-000CN	2
2	Lifter drive assembly	RM1-8879-000CN	2
3	Controller PCA	RM1-9077-000CN	1
4	Paper pickup motor assembly	RM1-9422-000CN	2

## HCI components (2 of 2)

Figure 2-31 HCI components (2 of 2)



**Table 2-34 HCI components (2 of 2)**

<b>Ref</b>	<b>Description</b>	<b>Part number</b>	<b>Qty</b>
3	Kit, pick/feed roller 3,500 HCI <sup>1</sup>	5851-5011	1
4	Kit, pick/feed roller 3,500 HCI <sup>1</sup>	5851-5011	1
5	Paper pickup assembly, right	RM1-8869-000CN	1
6	Paper pickup assembly, left	RM1-8876-000CN	1
7	Crossing paper feed assembly	RM1-8888-000CN	1
8	Tray 3, 3,500 HCI	CC522-67916	1
9	Tray 4, 3,500 HCI	CC522-67915	1
10	Auto close assembly	RM1-8880-000CN	2

<sup>1</sup> This service kit contains two pickup and four feed rollers.

# Alphabetical parts list

**Table 2-35 Alphabetical parts list**

<b>Description</b>	<b>Part number</b>	<b>Table and page</b>
ADF Assembly (complete)	CC522-67923	<a href="#">Document feeder assemblies on page 339</a>
ADF hinge assembly	CQ819-60011	<a href="#">Document feeder assemblies on page 339</a>
ADF roller cover, A3	CQ819-40032	<a href="#">Document feeder assemblies on page 339</a>
ADF separation pad spring	5851-4879	<a href="#">Document feeder assemblies on page 339</a>
ADF tray extender	Q7404-40020	<a href="#">Document feeder assemblies on page 339</a>
Arm, front cover, 1	RC2-6732-000CN	<a href="#">Internal assemblies (1 of 8) on page 353</a>
Arm, front cover, 2	RC2-6733-000CN	<a href="#">Internal assemblies (1 of 8) on page 353</a>
Arm, ITB coupling release	RC2-6824-000CN	<a href="#">Internal assemblies (4 of 8) on page 359</a>
Arm, waste toner, left	RC2-7035-000CN	<a href="#">Internal assemblies (5 of 8) on page 361</a>
Arm, waste toner, right	RC2-7036-000CN	<a href="#">Internal assemblies (5 of 8) on page 361</a>
Auto close assembly	RM1-6036-000CN	<a href="#">Internal assemblies (7 of 8) on page 365</a>
Auto close assembly	RM1-8880-000CN	<a href="#">HCI components (2 of 2) on page 383</a>
Cable assembly, left	RM1-8901-000CN	<a href="#">Internal assemblies (7 of 8) on page 365</a>
Cable assembly, stacker	RM1-8906-000CN	<a href="#">Internal assemblies (8 of 8) on page 367</a>
Cable assembly, sub power supply	RM1-8905-000CN	<a href="#">Internal assemblies (8 of 8) on page 367</a>
Cable assembly, switch	RM1-8903-000CN	<a href="#">Internal assemblies (7 of 8) on page 365</a>
Cable, 1st transfer	RM1-6822-000CN	<a href="#">Internal assemblies (8 of 8) on page 367</a>
Cable, door open switch	RM1-3651-000CN	<a href="#">3x500-sheet paper deck components on page 377</a>
Cable, engine interface	RM1-6991-000CN	<a href="#">1x500-sheet paper deck components on page 375</a>

**Table 2-35 Alphabetical parts list (continued)**

<b>Description</b>	<b>Part number</b>	<b>Table and page</b>
Cable, engine interface	RM1-6991-000CN	<a href="#">3x500-sheet paper deck components on page 377</a>
Cable, feed joint	RM1-6846-000CN	<a href="#">Internal assemblies (3 of 8) on page 357</a>
Cable, low voltage	RM1-6807-000CN	<a href="#">Internal assemblies (7 of 8) on page 365</a>
Cable, low voltage, test	RM1-6813-000CN	<a href="#">Internal assemblies (7 of 8) on page 365</a>
Cable, low-voltage AC joint	RM1-6811-000CN	<a href="#">Internal assemblies (7 of 8) on page 365</a>
Cable, multi sensor	RM1-3647-000CN	<a href="#">3x500-sheet paper deck components on page 377</a>
Cable, multisensor	RM1-3647-000CN	<a href="#">1x500-sheet paper deck components on page 375</a>
Cable, paper pickup option	RM1-3575-000CN	<a href="#">1x500-sheet paper deck components on page 375</a>
Cable, paper pickup option	RM1-3575-000CN	<a href="#">3x500-sheet paper deck components on page 377</a>
Cable, PCA joint	RM1-6992-000CN	<a href="#">3x500-sheet paper deck components on page 377</a>
Cable, rear	RM1-6863-000CN	<a href="#">Internal assemblies (8 of 8) on page 367</a>
Cable, SB joint	RM1-6867-000CN	<a href="#">Internal assemblies (2 of 8) on page 355</a>
Cable, USB	RK2-4329-000CN	<a href="#">Internal assemblies (8 of 8) on page 367</a>
Cap, T2 contact	RC2-6691-000CN	<a href="#">Internal assemblies (3 of 8) on page 357</a>
Cartridge fan (FM4)	RM1-9364-000CN	<a href="#">Internal assemblies (4 of 8) on page 359</a>
Cartridge guide assembly, upper	RM1-5990-000CN	<a href="#">Internal assemblies (1 of 8) on page 353</a>
Caster, double lock, front	RC1-9896-000CN	<a href="#">1x500-sheet paper deck components on page 375</a>
Caster, double lock, front	RC1-9896-000CN	<a href="#">3x500-sheet paper deck components on page 377</a>
Caster, rear	RC3-2994-000CN	<a href="#">1x500-sheet paper deck components on page 375</a>
Caster, rear	RC3-2994-000CN	<a href="#">3x500-sheet paper deck components on page 377</a>



**Table 2-35 Alphabetical parts list (continued)**

<b>Description</b>	<b>Part number</b>	<b>Table and page</b>
Clamp, edge	RC2-6663-000CN	<a href="#">Internal assemblies (5 of 8) on page 361</a>
Connector, 8P	VS1-7514-008CN	<a href="#">Internal assemblies (8 of 8) on page 367</a>
Connector, 8P	VS1-7514-008CN	<a href="#">1x500-sheet paper feeder components on page 371</a>
Connector, 8P	VS1-7500-008CN	<a href="#">1x500-sheet paper deck components on page 375</a>
Connector, 8P	VS1-7500-008CN	<a href="#">3x500-sheet paper deck components on page 377</a>
Connector, snap tight, BK	VS1-7207-019CN	<a href="#">Internal assemblies (2 of 8) on page 355</a>
Controller PCA	RM1-9077-000CN	<a href="#">HCI components (1 of 2) on page 381</a>
Cover, ADF cable	CC522-40023	<a href="#">Scanner assemblies on page 341</a>
Cover, ADF front	CQ819-40003	<a href="#">Document feeder assemblies on page 339</a>
Cover, ADF rear	CQ819-40005	<a href="#">Document feeder assemblies on page 339</a>
Cover, back scanner	CC522-40017	<a href="#">Scanner assemblies on page 341</a>
Cover, cable, protective	RC2-6832-000CN	<a href="#">Internal assemblies (2 of 8) on page 355</a>
Cover, cable, right rear	RC2-8424-000CN	<a href="#">Internal assemblies (7 of 8) on page 365</a>
Cover, connector, lower	RC2-6642-000CN	<a href="#">Internal assemblies (2 of 8) on page 355</a>
Cover, corner, right	RC3-3009-000CN	<a href="#">HCI covers on page 379</a>
Cover, delivery	RM1-9383-000CN	<a href="#">Covers on page 349</a>
Cover, duplexing gear	RC2-6931-000CN	<a href="#">Internal assemblies (3 of 8) on page 357</a>
Cover, front inner	RM1-9981-000CN	<a href="#">Stapler/stacker covers on page 345</a>
Cover, front left	RC3-3325-000CN	<a href="#">Stapler/stacker covers on page 345</a>
Cover, front right	RC3-3324-000CN	<a href="#">Stapler/stacker covers on page 345</a>
Cover, front scanner	CC522-40020	<a href="#">Scanner assemblies on page 341</a>

**Table 2-35 Alphabetical parts list (continued)**

<b>Description</b>	<b>Part number</b>	<b>Table and page</b>
Cover, guide	RC2-7204-000CN	<a href="#">Internal assemblies (1 of 8) on page 353</a>
Cover, handle guide	RC2-6670-000CN	<a href="#">Internal assemblies (1 of 8) on page 353</a>
Cover, handle lower	RC2-9332-000CN	<a href="#">1x500-sheet paper feeder covers on page 369</a>
Cover, handle, lower-left	RC2-6625-000CN	<a href="#">Covers on page 349</a>
Cover, handle, lower-right, front	RC2-6627-000CN	<a href="#">Covers on page 349</a>
Cover, handle, lower-right, rear	RC2-6626-000CN	<a href="#">Covers on page 349</a>
Cover, hatch	CQ819-40004	<a href="#">Document feeder assemblies on page 339</a>
Cover, imaging H.V.T. cable	RC2-6573-000CN	<a href="#">Internal assemblies (8 of 8) on page 367</a>
Cover, left	RM1-9363-000CN	<a href="#">Covers on page 349</a>
Cover, left	RC2-9331-000CN	<a href="#">1x500-sheet paper feeder covers on page 369</a>
Cover, left	RC2-9349-000CN	<a href="#">1x500-sheet and 3x500-sheet paper deck covers on page 373</a>
Cover, left	RC3-3005-000CN	<a href="#">HCI covers on page 379</a>
Cover, left lower	RC3-3331-000CN	<a href="#">Stapler/stacker covers on page 345</a>
Cover, left lower	RC2-9350-000CN	<a href="#">1x500-sheet and 3x500-sheet paper deck covers on page 373</a>
Cover, left lower	RC3-3006-000CN	<a href="#">HCI covers on page 379</a>
Cover, left rear	RC3-3326-000CN	<a href="#">Stapler/stacker covers on page 345</a>
Cover, left rear	RC2-9158-000CN	<a href="#">Covers on page 349</a>
Cover, left scanner	CC522-40021	<a href="#">Scanner assemblies on page 341</a>
Cover, lower front	RC2-6737-000CN	<a href="#">Internal assemblies (1 of 8) on page 353</a>
Cover, main crossmember cable	RC2-6650-000CN	<a href="#">Internal assemblies (6 of 8) on page 363</a>
Cover, main drive cable, lower	RC2-6574-000CN	<a href="#">Internal assemblies (3 of 8) on page 357</a>
Cover, rear	RM1-9980-000CN	<a href="#">Stapler/stacker covers on page 345</a>

**Table 2-35 Alphabetical parts list (continued)**

<b>Description</b>	<b>Part number</b>	<b>Table and page</b>
Cover, rear	RM1-9362-000CN	<a href="#">Covers on page 349</a>
Cover, rear	RC2-9330-000CN	<a href="#">1x500-sheet paper feeder covers on page 369</a>
Cover, rear	RC2-9348-000CN	<a href="#">1x500-sheet and 3x500-sheet paper deck covers on page 373</a>
Cover, rear	RC3-3003-000CN	<a href="#">HCl covers on page 379</a>
Cover, rear lower	RC2-9357-000CN	<a href="#">1x500-sheet and 3x500-sheet paper deck covers on page 373</a>
Cover, rear lower	RC3-3004-000CN	<a href="#">HCl covers on page 379</a>
Cover, rear upper	RC2-9160-000CN	<a href="#">Covers on page 349</a>
Cover, right center	RC3-3000-000CN	<a href="#">HCl covers on page 379</a>
Cover, right corner	RC2-9343-000CN	<a href="#">1x500-sheet and 3x500-sheet paper deck covers on page 373</a>
Cover, right door cable, small	RC3-3323-000CN	<a href="#">Stapler/stacker covers on page 345</a>
Cover, right front	RM1-9359-000CN	<a href="#">Covers on page 349</a>
Cover, right front	RC2-9320-000CN	<a href="#">1x500-sheet paper feeder covers on page 369</a>
Cover, right lower	RC3-3001-000CN	<a href="#">HCl covers on page 379</a>
Cover, right lower, 1	RC2-9346-000CN	<a href="#">1x500-sheet and 3x500-sheet paper deck covers on page 373</a>
Cover, right lower, 2	RC2-9347-000CN	<a href="#">1x500-sheet and 3x500-sheet paper deck covers on page 373</a>
Cover, right rear	RM1-7142-000CN	<a href="#">Covers on page 349</a>
Cover, right rear	RC2-9157-000CN	<a href="#">Covers on page 349</a>
Cover, right rear	RC3-3002-000CN	<a href="#">HCl covers on page 379</a>
Cover, right scanner	CC522-40022	<a href="#">Scanner assemblies on page 341</a>
Cover, right upper	RC2-9155-000CN	<a href="#">Covers on page 349</a>
Cover, right upper	RM1-9367-000CN	<a href="#">Covers on page 349</a>
Cover, right upper	RM1-9361-000CN	<a href="#">Right door on page 351</a>
Cover, stapler	RM1-9982-000CN	<a href="#">Stapler/stacker covers on page 345</a>

**Table 2-35 Alphabetical parts list (continued)**

<b>Description</b>	<b>Part number</b>	<b>Table and page</b>
Cover, top	RM1-9358-000CN	<a href="#">Covers on page 349</a>
Cover, waste toner	RM1-6012-000CN	<a href="#">Internal assemblies (5 of 8) on page 361</a>
Cover, waste toner 2	RC2-6962-000CN	<a href="#">Internal assemblies (5 of 8) on page 361</a>
Cover, waster toner, 3	RC2-6963-000CN	<a href="#">Internal assemblies (5 of 8) on page 361</a>
Crossing paper feed assembly	RM1-8888-000CN	<a href="#">HCI components (2 of 2) on page 383</a>
Crossmember, cover, left	RC2-6760-000CN	<a href="#">Internal assemblies (8 of 8) on page 367</a>
DC controller PCA	RM1-9371-000CN	<a href="#">Internal assemblies (8 of 8) on page 367</a>
Door, right	RM1-9440-000CN	<a href="#">Stapler/stacker covers on page 345</a>
Door, right	RM1-9360-000CN	<a href="#">Right door on page 351</a>
Door, stock, 1 (1x500 paper deck only)	RC2-9353-000CN	<a href="#">1x500-sheet and 3x500-sheet paper deck covers on page 373</a>
Door, stock, 2 (1x500 paper deck only)	RC2-9354-000CN	<a href="#">1x500-sheet and 3x500-sheet paper deck covers on page 373</a>
Door, toner collection unit access	RC2-7034-000CN	<a href="#">Covers on page 349</a>
Duct, fan, 1	RC2-8388-000CN	<a href="#">Internal assemblies (6 of 8) on page 363</a>
Duct, front	RC2-7300-000CN	<a href="#">Internal assemblies (1 of 8) on page 353</a>
Duct, joint	RC2-8360-000CN	<a href="#">Internal assemblies (4 of 8) on page 359</a>
Duplexing fan (FM2)	RM1-9365-000CN	<a href="#">Internal assemblies (7 of 8) on page 365</a>
Fan (FM1; power supply)	RK2-2276-000CN	<a href="#">Internal assemblies (6 of 8) on page 363</a>
Feed guide assembly	RM1-9441-000CN	<a href="#">Stapler/stacker components on page 347</a>
Feeder PCA	RM1-6988-000CN	<a href="#">1x500-sheet paper deck components on page 375</a>
Feeder PCA	RM1-6989-000CN	<a href="#">3x500-sheet paper deck components on page 377</a>

**Table 2-35 Alphabetical parts list (continued)**

<b>Description</b>	<b>Part number</b>	<b>Table and page</b>
FFC assembly	RM1-6804-000CN	<a href="#">Internal assemblies (6 of 8) on page 363</a>
Flag, document feeder open sensor	CC522-40029	<a href="#">Scanner assemblies on page 341</a>
Flag, media presence	CC355-40015	<a href="#">Document feeder assemblies on page 339</a>
Flatbed scanner Assy (complete) <sup>1</sup>	CC522-67922	<a href="#">Scanner assemblies on page 341</a>
Formatter cage	RM1-9382-000CN	<a href="#">Internal assemblies (8 of 8) on page 367</a>
Front lower cover assembly	RM1-6958-000CN	<a href="#">1x500-sheet and 3x500-sheet paper deck covers on page 373</a>
Front upper cover assembly	RM1-6949-000CN	<a href="#">1x500-sheet paper feeder covers on page 369</a>
Front upper cover assembly	RM1-6949-000CN	<a href="#">1x500-sheet and 3x500-sheet paper deck covers on page 373</a>
Gear, 25T	RU6-0771-000CN	<a href="#">Internal assemblies (3 of 8) on page 357</a>
Gear, 25T	RU6-0772-000CN	<a href="#">Internal assemblies (3 of 8) on page 357</a>
Gear, 74T	RU6-0773-000CN	<a href="#">Internal assemblies (3 of 8) on page 357</a>
Gear, link worm	RU6-0795-000CN	<a href="#">Internal assemblies (5 of 8) on page 361</a>
Guide	RC2-6551-000CN	<a href="#">Internal assemblies (2 of 8) on page 355</a>
Guide, arm, front	RC2-6632-000CN	<a href="#">Internal assemblies (1 of 8) on page 353</a>
Guide, cable	RC3-0684-000CN	<a href="#">Internal assemblies (7 of 8) on page 365</a>
Guide, crossmember cable, front	RC2-6587-000CN	<a href="#">Internal assemblies (7 of 8) on page 365</a>
Guide, crossmember cable, rear	RC2-6588-000CN	<a href="#">Internal assemblies (7 of 8) on page 365</a>
Guide, DC controller, support cable	RC2-6665-000CN	<a href="#">Internal assemblies (8 of 8) on page 367</a>
Guide, fixing (fuser) AC cable	RC2-6693-000CN	<a href="#">Internal assemblies (5 of 8) on page 361</a>

**Table 2-35 Alphabetical parts list (continued)**

<b>Description</b>	<b>Part number</b>	<b>Table and page</b>
Guide, imaging H.V.T. cable	RC2-6661-000CN	<a href="#">Internal assemblies (8 of 8) on page 367</a>
Guide, inside cable	RC2-6589-000CN	<a href="#">Internal assemblies (6 of 8) on page 363</a>
Guide, laser	RC2-6628-000CN	<a href="#">Internal assemblies (6 of 8) on page 363</a>
Guide, LVT cable	RC2-6662-000CN	<a href="#">Internal assemblies (5 of 8) on page 361</a>
Guide, main crossmember cable	RC2-6600-000CN	<a href="#">Internal assemblies (6 of 8) on page 363</a>
Guide, main drive cable	RC2-6659-000CN	<a href="#">Internal assemblies (3 of 8) on page 357</a>
Guide, paper feed	RC2-7297-000CN	<a href="#">Internal assemblies (2 of 8) on page 355</a>
Guide, slide	RC2-7203-000CN	<a href="#">Internal assemblies (5 of 8) on page 361</a>
Handle, lock, rear	RC2-9303-000CN	<a href="#">1x500-sheet paper feeder covers on page 369</a>
Handle, lock, rear	RC2-9303-000CN	<a href="#">1x500-sheet and 3x500-sheet paper deck covers on page 373</a>
Hinge, front cover, center	RC2-6738-000CN	<a href="#">Internal assemblies (1 of 8) on page 353</a>
Hinge, front cover, left	RC2-6713-000CN	<a href="#">Internal assemblies (1 of 8) on page 353</a>
Hinge, front cover, right	RC2-6715-000CN	<a href="#">Internal assemblies (1 of 8) on page 353</a>
Hinge, inner door, left	RC2-6716-000CN	<a href="#">Internal assemblies (1 of 8) on page 353</a>
Hinge, inner door, right	RC2-6712-000CN	<a href="#">Internal assemblies (1 of 8) on page 353</a>
Hinge, right door, front	RC2-7094-000CN	<a href="#">Internal assemblies (4 of 8) on page 359</a>
Holder, 1st transfer power dispatching	RC2-6680-000CN	<a href="#">Internal assemblies (7 of 8) on page 365</a>
Holder, 2cnd power dispatching	RC2-6682-000CN	<a href="#">Internal assemblies (3 of 8) on page 357</a>
Holder, 2cnd transfer H.V.T.	RC2-6681-010CN	<a href="#">Internal assemblies (3 of 8) on page 357</a>
Holder, door detect, right	RC3-4687-000CN	<a href="#">Internal assemblies (4 of 8) on page 359</a>

**Table 2-35 Alphabetical parts list (continued)**

<b>Description</b>	<b>Part number</b>	<b>Table and page</b>
Holder, flexible flat cable (FFC)	RC2-6655-000CN	<a href="#">Internal assemblies (6 of 8) on page 363</a>
Holder, interlock switch	RC2-6689-000CN	<a href="#">Internal assemblies (1 of 8) on page 353</a>
Holder, paper pickup connector	RC2-6638-000CN	<a href="#">Internal assemblies (8 of 8) on page 367</a>
Holder, power supply fan	RC2-7299-000CN	<a href="#">Internal assemblies (6 of 8) on page 363</a>
Hook, duplexing spring	RC2-6932-000CN	<a href="#">Internal assemblies (3 of 8) on page 357</a>
Imaging high-voltage PCA assembly	RM1-6800-000CN	<a href="#">Internal assemblies (8 of 8) on page 367</a>
Interconnect PCA (ICB) (inner connecting PCA)	RM1-9368-000CN	<a href="#">Internal assemblies (8 of 8) on page 367</a>
ITB guide rail	RM1-6019-000CN	<a href="#">Internal assemblies (5 of 8) on page 361</a>
ITB guide rail assembly	RM1-6018-000CN	<a href="#">Internal assemblies (5 of 8) on page 361</a>
ITB guide rail assembly, R1	RM1-6037-000CN	<a href="#">Internal assemblies (5 of 8) on page 361</a>
Kit, A3 ADF mylar	5851-4997	<a href="#">Document feeder assemblies on page 339</a>
Kit, ADF whole unit, A3 (includes foam reflector kit)	CC522-67923	<a href="#">Document feeder and scanner whole units on page 337</a>
Kit, control panel	CD644-67916	<a href="#">Document feeder and scanner whole units on page 337</a>
Kit, door inner	CC522-67906	<a href="#">Internal assemblies (1 of 8) on page 353</a>
Kit, feed roller assembly <sup>1</sup>	CC522-67909	<a href="#">1x500-sheet paper feeder components on page 371</a>
Kit, formatter replacement PCA	CC522-67901	<a href="#">Internal assemblies (8 of 8) on page 367</a>
Kit, front cover assembly with HP jewel	CE707-67902	<a href="#">Covers on page 349</a>
Kit, fuser drive assembly	CE707-67904	<a href="#">Internal assemblies (2 of 8) on page 355</a>
Kit, fuser replacement 110V	CC522-67904	<a href="#">Internal assemblies (2 of 8) on page 355</a>
Kit, fuser replacement 220V	CC522-67926	<a href="#">Internal assemblies (2 of 8) on page 355</a>

**Table 2-35 Alphabetical parts list (continued)**

<b>Description</b>	<b>Part number</b>	<b>Table and page</b>
Kit, intermediate transfer belt (ITB) repair	CC522-67911	<a href="#">Internal assemblies (6 of 8) on page 363</a>
Kit, main drive assembly duplex	CE708-67901	<a href="#">Internal assemblies (3 of 8) on page 357</a>
Kit, paper pick roller and separation roller	CC522-67927	<a href="#">Internal assemblies (2 of 8) on page 355</a>
Kit, pick/feed roller 3,500 HCl <sup>1</sup>	5851-5011	<a href="#">HCl components (2 of 2) on page 383</a>
Kit, pick/feed roller 3,500 HCl <sup>1</sup>	5851-5011	<a href="#">HCl components (2 of 2) on page 383</a>
Kit, pickup and feed roller <sup>1</sup>	CC522-67909	<a href="#">1x500-sheet paper deck components on page 375</a>
Kit, pickup roller <sup>1</sup>	CC522-67909	<a href="#">1x500-sheet paper deck components on page 375</a>
Kit, reflector foam, A3	5851-4888	<a href="#">Document feeder and scanner whole units on page 337</a>
Kit, roller pickup <sup>1</sup>	CC522-67909	<a href="#">1x500-sheet paper feeder components on page 371</a>
Kit, scanner whole unit (includes foam reflector kit)	CC522-67922	<a href="#">Document feeder and scanner whole units on page 337</a>
Kit, toner collection unit (TCU)	CE980-67901	<a href="#">Internal assemblies (5 of 8) on page 361</a>
Kit, Tray 2	CE522-67913	<a href="#">Internal assemblies (2 of 8) on page 355</a>
Label, cassette number	CE707-00001	<a href="#">1x500-sheet paper feeder components on page 371</a>
Label, fixing (fuser) access	RC3-2334-000CN	<a href="#">Covers on page 349</a>
Label, ITB insert, FH	RU5-8806-000CN	<a href="#">Internal assemblies (6 of 8) on page 363</a>
Label, ITB insert, FV	RU5-8804-000CN	<a href="#">Internal assemblies (6 of 8) on page 363</a>
Label, ITB set, RH	RU5-8807-000CN	<a href="#">Internal assemblies (6 of 8) on page 363</a>
Label, ITB set, RV	RU5-8805-000CN	<a href="#">Internal assemblies (6 of 8) on page 363</a>
Laser/scanner assembly	RM1-6122-070CN	<a href="#">Internal assemblies (6 of 8) on page 363</a>
Lever, inner door pressure	RC2-6744-000CN	<a href="#">Internal assemblies (1 of 8) on page 353</a>



**Table 2-35 Alphabetical parts list (continued)**

<b>Description</b>	<b>Part number</b>	<b>Table and page</b>
Lever, lift 1	RC2-7199-000CN	<a href="#">Internal assemblies (5 of 8) on page 361</a>
Lever, lift, 2	RC2-7200-000CN	<a href="#">Internal assemblies (1 of 8) on page 353</a>
Lever, push	RC2-7198-000CN	<a href="#">Internal assemblies (1 of 8) on page 353</a>
Lifter drive assembly	RM1-6039-000CN	<a href="#">Internal assemblies (7 of 8) on page 365</a>
Lifter drive assembly	RM1-3819-000CN	<a href="#">1x500-sheet paper feeder components on page 371</a>
Lifter drive assembly	RM1-3819-000CN	<a href="#">1x500-sheet paper deck components on page 375</a>
Lifter drive assembly	RM1-3819-000CN	<a href="#">3x500-sheet paper deck components on page 377</a>
Lifter drive assembly	RM1-8879-000CN	<a href="#">HCl components (1 of 2) on page 381</a>
Link, ITB coupling release	RC2-6823-000CN	<a href="#">Internal assemblies (3 of 8) on page 357</a>
Link, right door, 2 front	RC2-7233-010CN	<a href="#">Internal assemblies (4 of 8) on page 359</a>
Link, right door, 2 rear	RC2-7236-000CN	<a href="#">Internal assemblies (4 of 8) on page 359</a>
Link, right door, lower	RC2-9327-000CN	<a href="#">1x500-sheet paper feeder covers on page 369</a>
Link, right door, lower	RC2-9327-000CN	<a href="#">1x500-sheet and 3x500-sheet paper deck covers on page 373</a>
Link, right door, upper	RC2-9335-000CN	<a href="#">1x500-sheet paper feeder covers on page 369</a>
Link, right door, upper	RC2-9335-000CN	<a href="#">1x500-sheet and 3x500-sheet paper deck covers on page 373</a>
Lock plate, 2cnd transfer	RL1-2236-000CN	<a href="#">Internal assemblies (6 of 8) on page 363</a>
Lock plate, front	RL1-2235-000CN	<a href="#">Internal assemblies (6 of 8) on page 363</a>
Lock, door link, right	RC2-7234-000CN	<a href="#">Internal assemblies (4 of 8) on page 359</a>
Low-voltage power supply (110V-127V)	RM1-8895-000CN	<a href="#">Internal assemblies (7 of 8) on page 365</a>

**Table 2-35 Alphabetical parts list (continued)**

<b>Description</b>	<b>Part number</b>	<b>Table and page</b>
Low-voltage power supply (220V-2450V)	RM1-8896-000CN	<a href="#">Internal assemblies (7 of 8) on page 365</a>
Media Stopper, Front	CC355-40046	<a href="#">Document feeder assemblies on page 339</a>
Media Stopper, rear	CC355-40047	<a href="#">Document feeder assemblies on page 339</a>
Microswitch	WC4-5251-000CN	<a href="#">Internal assemblies (1 of 8) on page 353</a>
Motor, DC	RM1-6088-000CN	<a href="#">Internal assemblies (3 of 8) on page 357</a>
Motor, DC stepping (M6, M7)	RK2-3298-000CN	<a href="#">Internal assemblies (3 of 8) on page 357</a>
Motor, fixing (fuser)	RM1-6074-000CN	<a href="#">Internal assemblies (2 of 8) on page 355</a>
Motor, stepping, DC	RK2-1331-000CN	<a href="#">1x500-sheet paper feeder components on page 371</a>
Motor, stepping, DC	RK2-1331-000CN	<a href="#">1x500-sheet paper deck components on page 375</a>
Motor, stepping, DC	RK2-1331-000CN	<a href="#">3x500-sheet paper deck components on page 377</a>
Motor, stepping, DC	RK2-1331-000CN	<a href="#">HCI components (1 of 2) on page 381</a>
Mount, cover arm, front	RC2-6735-000CN	<a href="#">Internal assemblies (1 of 8) on page 353</a>
Mount, inner door rail	RC2-6743-000CN	<a href="#">Internal assemblies (1 of 8) on page 353</a>
Mount, inner door toggle	RC2-6717-000CN	<a href="#">Internal assemblies (1 of 8) on page 353</a>
Mount, stopper arm	RC2-6745-000CN	<a href="#">Internal assemblies (1 of 8) on page 353</a>
MP (Tray 1) lifter plate assembly	RM1-9389-000CN	<a href="#">Right door on page 351</a>
MP tray (Tray 1) assembly	RM1-6045-000CN	<a href="#">Right door on page 351</a>
Operation assembly	RM1-9442-000CN	<a href="#">Stapler/stacker components on page 347</a>
Output bin (tray assembly)	RM1-9443-000CN	<a href="#">Stapler/stacker covers on page 345</a>
Paper delivery assembly	RM1-9377-000CN	<a href="#">Internal assemblies (2 of 8) on page 355</a>
Paper feed center guide assembly	RM1-9988-000CN	<a href="#">Stapler/stacker components on page 347</a>

**Table 2-35 Alphabetical parts list (continued)**

<b>Description</b>	<b>Part number</b>	<b>Table and page</b>
Paper feeder controller PCA	RM1-6987-000CN	<a href="#">1x500-sheet paper feeder components on page 371</a>
Paper pickup assembly	RM1-6944-000CN	<a href="#">1x500-sheet paper feeder components on page 371</a>
Paper pickup assembly	RM1-6944-000CN	<a href="#">3x500-sheet paper deck components on page 377</a>
Paper pickup assembly (Tray 2)	CE522-67903	<a href="#">Internal assemblies (2 of 8) on page 355</a>
Paper pickup assembly, left	RM1-8876-000CN	<a href="#">HCl components (2 of 2) on page 383</a>
Paper pickup assembly, right	RM1-8869-000CN	<a href="#">HCl components (2 of 2) on page 383</a>
Paper pickup assembly <sup>1</sup>	RM1-6944-000CN	<a href="#">1x500-sheet paper deck components on page 375</a>
Paper pickup motor assembly	RM1-9422-000CN	<a href="#">HCl components (1 of 2) on page 381</a>
PCA, 1st transfer H.V.P.	RM1-7004-000CN	<a href="#">Internal assemblies (4 of 8) on page 359</a>
PCA, 2cnd transfer H.V.P.	RM1-6802-000CN	<a href="#">Internal assemblies (4 of 8) on page 359</a>
PCA, driver	RM1-8899-000CN	<a href="#">Internal assemblies (4 of 8) on page 359</a>
PCA, main controller	RM1-9459-000CN	<a href="#">Stapler/stacker components on page 347</a>
PCA, scanner memory	5851-4285	<a href="#">Scanner assemblies on page 341</a>
Photointerrupter	WG8-5935-000CN	<a href="#">Internal assemblies (4 of 8) on page 359</a>
Photosensor	CC355-80014	<a href="#">Document feeder assemblies on page 339</a>
Plate, arm reinforcement	RC2-9649-000CN	<a href="#">Internal assemblies (5 of 8) on page 361</a>
Plate, box pillar	RC2-6673-000CN	<a href="#">Internal assemblies (8 of 8) on page 367</a>
Plate, duplexing drive gear	RL1-2266-000CN	<a href="#">Internal assemblies (3 of 8) on page 357</a>
Plate, FFC protective	RC2-9687-000CN	<a href="#">Internal assemblies (8 of 8) on page 367</a>
Plate, right door link fixed, FR	RL1-2281-000CN	<a href="#">Internal assemblies (4 of 8) on page 359</a>

**Table 2-35 Alphabetical parts list (continued)**

<b>Description</b>	<b>Part number</b>	<b>Table and page</b>
Plate, right door link fixed, front	RC2-7272-010CN	<a href="#">Internal assemblies (4 of 8) on page 359</a>
Plate, right door link fixed, RR	RL1-2282-000CN	<a href="#">Internal assemblies (4 of 8) on page 359</a>
Plate, right door link, rear	RC2-7273-000CN	<a href="#">Internal assemblies (4 of 8) on page 359</a>
Power switch PCA	RM1-6759-000CN	<a href="#">Internal assemblies (7 of 8) on page 365</a>
Rail, cartridge auxiliary	RC2-6724-000CN	<a href="#">Internal assemblies (1 of 8) on page 353</a>
Rail, cassette, left	RL1-1391-000CN	<a href="#">1x500-sheet paper deck components on page 375</a>
Rail, cassette, left	RL1-1391-000CN	<a href="#">3x500-sheet paper deck components on page 377</a>
Rail, cassette, right	RL1-1390-000CN	<a href="#">1x500-sheet paper deck components on page 375</a>
Rail, cassette, right	RL1-1390-000CN	<a href="#">3x500-sheet paper deck components on page 377</a>
Rail, door link, front lower	RC2-6634-000CN	<a href="#">Internal assemblies (4 of 8) on page 359</a>
Rail, door link, rear lower	RC2-6635-000CN	<a href="#">Internal assemblies (4 of 8) on page 359</a>
Rail, ITB guide	RC2-7185-000CN	<a href="#">Internal assemblies (6 of 8) on page 363</a>
Rail, ITB guide, F3	RC2-7193-000CN	<a href="#">Internal assemblies (6 of 8) on page 363</a>
Reverse drive assembly	RM2-0698-000CN	<a href="#">Internal assemblies (2 of 8) on page 355</a>
Right door assembly	RM1-6946-000CN	<a href="#">1x500-sheet paper feeder covers on page 369</a>
Right door assembly	RM1-8868-000CN	<a href="#">HCI covers on page 379</a>
Right door assembly (1x500 paper deck)	RM1-6952-000CN	<a href="#">1x500-sheet and 3x500-sheet paper deck covers on page 373</a>
Right door assembly (3x500 paper deck)	RM1-6953-000CN	<a href="#">1x500-sheet and 3x500-sheet paper deck covers on page 373</a>
Right door, lower guide assembly	RM1-9989-000CN	<a href="#">Stapler/stacker covers on page 345</a>
Right front lock cover assembly	RM1-9416-000CN	<a href="#">HCI covers on page 379</a>

**Table 2-35 Alphabetical parts list (continued)**

<b>Description</b>	<b>Part number</b>	<b>Table and page</b>
Right lower cover assembly	RM1-6948-000CN	<a href="#">1x500-sheet paper feeder covers on page 369</a>
SCB, top Level Assembly	CC522-67931	<a href="#">Scanner controller board (SCB) assembly on page 343</a>
Screw, stepped	RU5-9056-000CN	<a href="#">1x500-sheet and 3x500-sheet paper deck covers on page 373</a>
Seal, slide shutter	RC3-1014-000CN	<a href="#">Internal assemblies (6 of 8) on page 363</a>
Seal, toner supporter guide	RC2-7018-000CN	<a href="#">Internal assemblies (6 of 8) on page 363</a>
Sensor, environmental PCA	RK2-2884-000CN	<a href="#">Internal assemblies (4 of 8) on page 359</a>
Sensor, registration	RM1-7922-000CN	<a href="#">Internal assemblies (2 of 8) on page 355</a>
Shaft, right door link	RU5-4979-000CN	<a href="#">Internal assemblies (4 of 8) on page 359</a>
Sheet, slide seal	RC3-1013-000CN	<a href="#">Internal assemblies (6 of 8) on page 363</a>
Shutter, exhaust	RC2-7010-000CN	<a href="#">Internal assemblies (5 of 8) on page 361</a>
Slider, push	RC2-7201-000CN	<a href="#">Internal assemblies (5 of 8) on page 361</a>
Solenoid, flapper assembly	RM1-9444-000CN	<a href="#">Stapler/stacker components on page 347</a>
Spring, compression	RU6-2721-000CN	<a href="#">Internal assemblies (1 of 8) on page 353</a>
Spring, compression	RU6-2683-000CN	<a href="#">Internal assemblies (5 of 8) on page 361</a>
Spring, contact	RU6-2771-000CN	<a href="#">Internal assemblies (3 of 8) on page 357</a>
Spring, contact	RU6-2767-000CN	<a href="#">Internal assemblies (7 of 8) on page 365</a>
Spring, contact	RU6-2768-000CN	<a href="#">Internal assemblies (7 of 8) on page 365</a>
Spring, document feeder sensor	CC522-80101	<a href="#">Scanner assemblies on page 341</a>
Spring, grounding	RC2-7209-000CN	<a href="#">Internal assemblies (1 of 8) on page 353</a>
Spring, grounding	RU6-2772-000CN	<a href="#">Internal assemblies (3 of 8) on page 357</a>

**Table 2-35 Alphabetical parts list (continued)**

<b>Description</b>	<b>Part number</b>	<b>Table and page</b>
Spring, grounding	RC2-6700-000CN	<a href="#">Internal assemblies (3 of 8) on page 357</a>
Spring, leaf, grounding	RC2-7092-000CN	<a href="#">Internal assemblies (1 of 8) on page 353</a>
Spring, rod	RC2-6611-000CN	<a href="#">Internal assemblies (7 of 8) on page 365</a>
Spring, tension	RU6-2710-000CN	<a href="#">Internal assemblies (2 of 8) on page 355</a>
Spring, tension	RU6-2671-000	<a href="#">Internal assemblies (3 of 8) on page 357</a>
Spring, tension	RU6-2744-000CN	<a href="#">Internal assemblies (4 of 8) on page 359</a>
Spring, tension	RU6-2727-000CN	<a href="#">Internal assemblies (4 of 8) on page 359</a>
Spring, tension	RU6-2831-000CN	<a href="#">Internal assemblies (5 of 8) on page 361</a>
Spring, torsion	RU6-2670-000CN	<a href="#">Internal assemblies (6 of 8) on page 363</a>
Stapler assembly	RM1-9446-000CN	<a href="#">Stapler/stacker components on page 347</a>
Stock box assembly	RM1-6954-000CN	<a href="#">1x500-sheet paper deck components on page 375</a>
Stopper, inner door, 1	RC2-6719-000CN	<a href="#">Internal assemblies (1 of 8) on page 353</a>
Stopper, inner door, 2	RC2-6736-000CN	<a href="#">Internal assemblies (1 of 8) on page 353</a>
Stopper, laser	RC2-6646-000CN	<a href="#">Internal assemblies (7 of 8) on page 365</a>
Sub power supply	RM1-9366-000CN	<a href="#">Internal assemblies (8 of 8) on page 367</a>
Sub power supply fan (FM5)	RM1-9384-000CN	<a href="#">Internal assemblies (8 of 8) on page 367</a>
Support, developing coupling	RC2-6811-000CN	<a href="#">Internal assemblies (4 of 8) on page 359</a>
Support, frame	RC2-7197-000CN	<a href="#">Internal assemblies (2 of 8) on page 355</a>
Support, frame	RC2-7196-000CN	<a href="#">Internal assemblies (2 of 8) on page 355</a>
Switch, button	WC2-5512-000CN	<a href="#">1x500-sheet paper feeder components on page 371</a>

**Table 2-35 Alphabetical parts list (continued)**

<b>Description</b>	<b>Part number</b>	<b>Table and page</b>
Switch, button	WC2-5512-000CN	<a href="#">3x500-sheet paper deck components on page 377</a>
Switch, door assembly	RM1-9445-000CN	<a href="#">Stapler/stacker components on page 347</a>
Toner feed assembly	RM1-6040-010CN	<a href="#">Internal assemblies (6 of 8) on page 363</a>
Toner remanet detect PCA	RM1-6779-000CN	<a href="#">Internal assemblies (7 of 8) on page 365</a>
Tray 3 - 6 (1x500, 1x500 w/stand, 3x500)	CC522-67914	<a href="#">1x500-sheet paper feeder components on page 371</a>
Tray 3 - 6 replacement	CC522-67914	<a href="#">1x500-sheet paper deck components on page 375</a>
Tray 3 - 6 replacement	CC522-67914	<a href="#">3x500-sheet paper deck components on page 377</a>
Tray 3, 3,500 HCI	CC522-67916	<a href="#">HCI components (2 of 2) on page 383</a>
Tray 4, 3,500 HCI	CC522-67915	<a href="#">HCI components (2 of 2) on page 383</a>
Tray assembly	RM1-9443-000CN	<a href="#">Stapler/stacker components on page 347</a>
Wall, inner	RC3-2321-000CN	<a href="#">Covers on page 349</a>
Width sensor PCA	CQ819-60022	<a href="#">Document feeder assemblies on page 339</a>

# Numerical parts list

**Table 2-36 Numerical parts list**

<b>Part number</b>	<b>Description</b>	<b>Table and page</b>
5851-4285	PCA, scanner memory	<a href="#">Scanner assemblies on page 341</a>
5851-4879	ADF separation pad spring	<a href="#">Document feeder assemblies on page 339</a>
5851-4888	Kit, reflector foam, A3	<a href="#">Document feeder and scanner whole units on page 337</a>
5851-4997	Kit, A3 ADF mylar	<a href="#">Document feeder assemblies on page 339</a>
5851-5011	Kit, pick/feed roller 3,500 HCI <sup>1</sup>	<a href="#">HCI components (2 of 2) on page 383</a>
5851-5011	Kit, pick/feed roller 3,500 HCI <sup>1</sup>	<a href="#">HCI components (2 of 2) on page 383</a>
CC355-40015	Flag, media presence	<a href="#">Document feeder assemblies on page 339</a>
CC355-40046	Media Stopper, Front	<a href="#">Document feeder assemblies on page 339</a>
CC355-40047	Media Stopper, rear	<a href="#">Document feeder assemblies on page 339</a>
CC355-80014	Photosensor	<a href="#">Document feeder assemblies on page 339</a>
CC522-40017	Cover, back scanner	<a href="#">Scanner assemblies on page 341</a>
CC522-40020	Cover, front scanner	<a href="#">Scanner assemblies on page 341</a>
CC522-40021	Cover, left scanner	<a href="#">Scanner assemblies on page 341</a>
CC522-40022	Cover, right scanner	<a href="#">Scanner assemblies on page 341</a>
CC522-40023	Cover, ADF cable	<a href="#">Scanner assemblies on page 341</a>
CC522-40029	Flag, document feeder open sensor	<a href="#">Scanner assemblies on page 341</a>
CC522-67901	Kit, formatter replacement PCA	<a href="#">Internal assemblies (8 of 8) on page 367</a>
CC522-67904	Kit, fuser replacement 110V	<a href="#">Internal assemblies (2 of 8) on page 355</a>
CC522-67906	Kit, door inner	<a href="#">Internal assemblies (1 of 8) on page 353</a>



**Table 2-36 Numerical parts list (continued)**

<b>Part number</b>	<b>Description</b>	<b>Table and page</b>
CC522-67909	Kit, roller pickup <sup>1</sup>	<a href="#">1x500-sheet paper feeder components on page 371</a>
CC522-67909	Kit, feed roller assembly <sup>1</sup>	<a href="#">1x500-sheet paper feeder components on page 371</a>
CC522-67909	Kit, pickup roller <sup>1</sup>	<a href="#">1x500-sheet paper deck components on page 375</a>
CC522-67909	Kit, pickup and feed roller <sup>1</sup>	<a href="#">1x500-sheet paper deck components on page 375</a>
CC522-67911	Kit, intermediate transfer belt (ITB) repair	<a href="#">Internal assemblies (6 of 8) on page 363</a>
CC522-67914	Tray 3 - 6 (1x500, 1x500 w/stand, 3x500)	<a href="#">1x500-sheet paper feeder components on page 371</a>
CC522-67914	Tray 3 - 6 replacement	<a href="#">1x500-sheet paper deck components on page 375</a>
CC522-67914	Tray 3 - 6 replacement	<a href="#">3x500-sheet paper deck components on page 377</a>
CC522-67915	Tray 4, 3,500 HCI	<a href="#">HCI components (2 of 2) on page 383</a>
CC522-67916	Tray 3, 3,500 HCI	<a href="#">HCI components (2 of 2) on page 383</a>
CC522-67922	Kit, scanner whole unit (includes foam reflector kit)	<a href="#">Document feeder and scanner whole units on page 337</a>
CC522-67922	Flatbed scanner Assy (complete) <sup>1</sup>	<a href="#">Scanner assemblies on page 341</a>
CC522-67923	Kit, ADF whole unit, A3 (includes foam reflector kit)	<a href="#">Document feeder and scanner whole units on page 337</a>
CC522-67923	ADF Assembly (complete)	<a href="#">Document feeder assemblies on page 339</a>
CC522-67926	Kit, fuser replacement 220V	<a href="#">Internal assemblies (2 of 8) on page 355</a>
CC522-67927	Kit, paper pick roller and separation roller	<a href="#">Internal assemblies (2 of 8) on page 355</a>
CC522-67931	SCB, top Level Assembly	<a href="#">Scanner controller board (SCB) assembly on page 343</a>
CC522-80101	Spring, document feeder sensor	<a href="#">Scanner assemblies on page 341</a>
CD644-67916	Kit, control panel	<a href="#">Document feeder and scanner whole units on page 337</a>
CE522-67903	Paper pickup assembly (Tray 2)	<a href="#">Internal assemblies (2 of 8) on page 355</a>

**Table 2-36 Numerical parts list (continued)**

<b>Part number</b>	<b>Description</b>	<b>Table and page</b>
CE522-67913	Kit, Tray 2	<a href="#">Internal assemblies (2 of 8) on page 355</a>
CE707-00001	Label, cassette number	<a href="#">1x500-sheet paper feeder components on page 371</a>
CE707-67902	Kit, front cover assembly with HP jewel	<a href="#">Covers on page 349</a>
CE707-67904	Kit, fuser drive assembly	<a href="#">Internal assemblies (2 of 8) on page 355</a>
CE708-67901	Kit, main drive assembly duplex	<a href="#">Internal assemblies (3 of 8) on page 357</a>
CE980-67901	Kit, toner collection unit (TCU)	<a href="#">Internal assemblies (5 of 8) on page 361</a>
CQ819-40003	Cover, ADF front	<a href="#">Document feeder assemblies on page 339</a>
CQ819-40004	Cover, hatch	<a href="#">Document feeder assemblies on page 339</a>
CQ819-40005	Cover, ADF rear	<a href="#">Document feeder assemblies on page 339</a>
CQ819-40032	ADF roller cover, A3	<a href="#">Document feeder assemblies on page 339</a>
CQ819-60011	ADF hinge assembly	<a href="#">Document feeder assemblies on page 339</a>
CQ819-60022	Width sensor PCA	<a href="#">Document feeder assemblies on page 339</a>
Q7404-40020	ADF tray extender	<a href="#">Document feeder assemblies on page 339</a>
RC1-9896-000CN	Caster, double lock, front	<a href="#">1x500-sheet paper deck components on page 375</a>
RC1-9896-000CN	Caster, double lock, front	<a href="#">3x500-sheet paper deck components on page 377</a>
RC2-6551-000CN	Guide	<a href="#">Internal assemblies (2 of 8) on page 355</a>
RC2-6573-000CN	Cover, imaging H.V.T. cable	<a href="#">Internal assemblies (8 of 8) on page 367</a>
RC2-6574-000CN	Cover, main drive cable, lower	<a href="#">Internal assemblies (3 of 8) on page 357</a>
RC2-6587-000CN	Guide, crossmember cable, front	<a href="#">Internal assemblies (7 of 8) on page 365</a>
RC2-6588-000CN	Guide, crossmember cable, rear	<a href="#">Internal assemblies (7 of 8) on page 365</a>

**Table 2-36 Numerical parts list (continued)**

<b>Part number</b>	<b>Description</b>	<b>Table and page</b>
RC2-6589-000CN	Guide, inside cable	<a href="#">Internal assemblies (6 of 8) on page 363</a>
RC2-6600-000CN	Guide, main crossmember cable	<a href="#">Internal assemblies (6 of 8) on page 363</a>
RC2-6611-000CN	Spring, rod	<a href="#">Internal assemblies (7 of 8) on page 365</a>
RC2-6625-000CN	Cover, handle, lower-left	<a href="#">Covers on page 349</a>
RC2-6626-000CN	Cover, handle, lower-right, rear	<a href="#">Covers on page 349</a>
RC2-6627-000CN	Cover, handle, lower-right, front	<a href="#">Covers on page 349</a>
RC2-6628-000CN	Guide, laser	<a href="#">Internal assemblies (6 of 8) on page 363</a>
RC2-6632-000CN	Guide, arm, front	<a href="#">Internal assemblies (1 of 8) on page 353</a>
RC2-6634-000CN	Rail, door link, front lower	<a href="#">Internal assemblies (4 of 8) on page 359</a>
RC2-6635-000CN	Rail, door link, rear lower	<a href="#">Internal assemblies (4 of 8) on page 359</a>
RC2-6638-000CN	Holder, paper pickup connector	<a href="#">Internal assemblies (8 of 8) on page 367</a>
RC2-6642-000CN	Cover, connector, lower	<a href="#">Internal assemblies (2 of 8) on page 355</a>
RC2-6646-000CN	Stopper, laser	<a href="#">Internal assemblies (7 of 8) on page 365</a>
RC2-6650-000CN	Cover, main crossmember cable	<a href="#">Internal assemblies (6 of 8) on page 363</a>
RC2-6655-000CN	Holder, flexible flat cable (FFC)	<a href="#">Internal assemblies (6 of 8) on page 363</a>
RC2-6659-000CN	Guide, main drive cable	<a href="#">Internal assemblies (3 of 8) on page 357</a>
RC2-6661-000CN	Guide, imaging H.V.T. cable	<a href="#">Internal assemblies (8 of 8) on page 367</a>
RC2-6662-000CN	Guide, LVT cable	<a href="#">Internal assemblies (5 of 8) on page 361</a>
RC2-6663-000CN	Clamp, edge	<a href="#">Internal assemblies (5 of 8) on page 361</a>
RC2-6665-000CN	Guide, DC controller, support cable	<a href="#">Internal assemblies (8 of 8) on page 367</a>
RC2-6670-000CN	Cover, handle guide	<a href="#">Internal assemblies (1 of 8) on page 353</a>

**Table 2-36 Numerical parts list (continued)**

<b>Part number</b>	<b>Description</b>	<b>Table and page</b>
RC2-6673-000CN	Plate, box pillar	<a href="#">Internal assemblies (8 of 8) on page 367</a>
RC2-6680-000CN	Holder, 1st transfer power dispatching	<a href="#">Internal assemblies (7 of 8) on page 365</a>
RC2-6681-010CN	Holder, 2cnd transfer H.V.T.	<a href="#">Internal assemblies (3 of 8) on page 357</a>
RC2-6682-000CN	Holder, 2cnd power dispatching	<a href="#">Internal assemblies (3 of 8) on page 357</a>
RC2-6689-000CN	Holder, interlock switch	<a href="#">Internal assemblies (1 of 8) on page 353</a>
RC2-6691-000CN	Cap, T2 contact	<a href="#">Internal assemblies (3 of 8) on page 357</a>
RC2-6693-000CN	Guide, fixing (fuser) AC cable	<a href="#">Internal assemblies (5 of 8) on page 361</a>
RC2-6700-000CN	Spring, grounding	<a href="#">Internal assemblies (3 of 8) on page 357</a>
RC2-6712-000CN	Hinge, inner door, right	<a href="#">Internal assemblies (1 of 8) on page 353</a>
RC2-6713-000CN	Hinge, front cover, left	<a href="#">Internal assemblies (1 of 8) on page 353</a>
RC2-6715-000CN	Hinge, front cover, right	<a href="#">Internal assemblies (1 of 8) on page 353</a>
RC2-6716-000CN	Hinge, inner door, left	<a href="#">Internal assemblies (1 of 8) on page 353</a>
RC2-6717-000CN	Mount, inner door toggle	<a href="#">Internal assemblies (1 of 8) on page 353</a>
RC2-6719-000CN	Stopper, inner door, 1	<a href="#">Internal assemblies (1 of 8) on page 353</a>
RC2-6724-000CN	Rail, cartridge auxiliary	<a href="#">Internal assemblies (1 of 8) on page 353</a>
RC2-6732-000CN	Arm, front cover, 1	<a href="#">Internal assemblies (1 of 8) on page 353</a>
RC2-6733-000CN	Arm, front cover, 2	<a href="#">Internal assemblies (1 of 8) on page 353</a>
RC2-6735-000CN	Mount, cover arm, front	<a href="#">Internal assemblies (1 of 8) on page 353</a>
RC2-6736-000CN	Stopper, inner door, 2	<a href="#">Internal assemblies (1 of 8) on page 353</a>
RC2-6737-000CN	Cover, lower front	<a href="#">Internal assemblies (1 of 8) on page 353</a>

**Table 2-36 Numerical parts list (continued)**

<b>Part number</b>	<b>Description</b>	<b>Table and page</b>
RC2-6738-000CN	Hinge, front cover, center	<a href="#">Internal assemblies (1 of 8) on page 353</a>
RC2-6743-000CN	Mount, inner door rail	<a href="#">Internal assemblies (1 of 8) on page 353</a>
RC2-6744-000CN	Lever, inner door pressure	<a href="#">Internal assemblies (1 of 8) on page 353</a>
RC2-6745-000CN	Mount, stopper arm	<a href="#">Internal assemblies (1 of 8) on page 353</a>
RC2-6760-000CN	Crossmember, cover, left	<a href="#">Internal assemblies (8 of 8) on page 367</a>
RC2-6811-000CN	Support, developing coupling	<a href="#">Internal assemblies (4 of 8) on page 359</a>
RC2-6823-000CN	Link, ITB coupling release	<a href="#">Internal assemblies (3 of 8) on page 357</a>
RC2-6824-000CN	Arm, ITB coupling release	<a href="#">Internal assemblies (4 of 8) on page 359</a>
RC2-6832-000CN	Cover, cable, protective	<a href="#">Internal assemblies (2 of 8) on page 355</a>
RC2-6931-000CN	Cover, duplexing gear	<a href="#">Internal assemblies (3 of 8) on page 357</a>
RC2-6932-000CN	Hook, duplexing spring	<a href="#">Internal assemblies (3 of 8) on page 357</a>
RC2-6962-000CN	Cover, waste toner 2	<a href="#">Internal assemblies (5 of 8) on page 361</a>
RC2-6963-000CN	Cover, waster toner, 3	<a href="#">Internal assemblies (5 of 8) on page 361</a>
RC2-7010-000CN	Shutter, exhaust	<a href="#">Internal assemblies (5 of 8) on page 361</a>
RC2-7018-000CN	Seal, toner supporter guide	<a href="#">Internal assemblies (6 of 8) on page 363</a>
RC2-7034-000CN	Door, toner collection unit access	<a href="#">Covers on page 349</a>
RC2-7035-000CN	Arm, waste toner, left	<a href="#">Internal assemblies (5 of 8) on page 361</a>
RC2-7036-000CN	Arm, waste toner, right	<a href="#">Internal assemblies (5 of 8) on page 361</a>
RC2-7092-000CN	Spring, leaf, grounding	<a href="#">Internal assemblies (1 of 8) on page 353</a>
RC2-7094-000CN	Hinge, right door, front	<a href="#">Internal assemblies (4 of 8) on page 359</a>

**Table 2-36 Numerical parts list (continued)**

<b>Part number</b>	<b>Description</b>	<b>Table and page</b>
RC2-7185-000CN	Rail, ITB guide	<a href="#">Internal assemblies (6 of 8) on page 363</a>
RC2-7193-000CN	Rail, ITB guide, F3	<a href="#">Internal assemblies (6 of 8) on page 363</a>
RC2-7196-000CN	Support, frame	<a href="#">Internal assemblies (2 of 8) on page 355</a>
RC2-7197-000CN	Support, frame	<a href="#">Internal assemblies (2 of 8) on page 355</a>
RC2-7198-000CN	Lever, push	<a href="#">Internal assemblies (1 of 8) on page 353</a>
RC2-7199-000CN	Lever, lift 1	<a href="#">Internal assemblies (5 of 8) on page 361</a>
RC2-7200-000CN	Lever, lift, 2	<a href="#">Internal assemblies (1 of 8) on page 353</a>
RC2-7201-000CN	Slider, push	<a href="#">Internal assemblies (5 of 8) on page 361</a>
RC2-7203-000CN	Guide, slide	<a href="#">Internal assemblies (5 of 8) on page 361</a>
RC2-7204-000CN	Cover, guide	<a href="#">Internal assemblies (1 of 8) on page 353</a>
RC2-7209-000CN	Spring, grounding	<a href="#">Internal assemblies (1 of 8) on page 353</a>
RC2-7233-010CN	Link, right door, 2 front	<a href="#">Internal assemblies (4 of 8) on page 359</a>
RC2-7234-000CN	Lock, door link, right	<a href="#">Internal assemblies (4 of 8) on page 359</a>
RC2-7236-000CN	Link, right door, 2 rear	<a href="#">Internal assemblies (4 of 8) on page 359</a>
RC2-7272-010CN	Plate, right door link fixed, front	<a href="#">Internal assemblies (4 of 8) on page 359</a>
RC2-7273-000CN	Plate, right door link, rear	<a href="#">Internal assemblies (4 of 8) on page 359</a>
RC2-7297-000CN	Guide, paper feed	<a href="#">Internal assemblies (2 of 8) on page 355</a>
RC2-7299-000CN	Holder, power supply fan	<a href="#">Internal assemblies (6 of 8) on page 363</a>
RC2-7300-000CN	Duct, front	<a href="#">Internal assemblies (1 of 8) on page 353</a>
RC2-8360-000CN	Duct, joint	<a href="#">Internal assemblies (4 of 8) on page 359</a>

**Table 2-36 Numerical parts list (continued)**

<b>Part number</b>	<b>Description</b>	<b>Table and page</b>
RC2-8388-000CN	Duct, fan, 1	<a href="#">Internal assemblies (6 of 8) on page 363</a>
RC2-8424-000CN	Cover, cable, right rear	<a href="#">Internal assemblies (7 of 8) on page 365</a>
RC2-9155-000CN	Cover, right upper	<a href="#">Covers on page 349</a>
RC2-9157-000CN	Cover, right rear	<a href="#">Covers on page 349</a>
RC2-9158-000CN	Cover, left rear	<a href="#">Covers on page 349</a>
RC2-9160-000CN	Cover, rear upper	<a href="#">Covers on page 349</a>
RC2-9303-000CN	Handle, lock, rear	<a href="#">1x500-sheet paper feeder covers on page 369</a>
RC2-9303-000CN	Handle, lock, rear	<a href="#">1x500-sheet and 3x500-sheet paper deck covers on page 373</a>
RC2-9320-000CN	Cover, right front	<a href="#">1x500-sheet paper feeder covers on page 369</a>
RC2-9327-000CN	Link, right door, lower	<a href="#">1x500-sheet paper feeder covers on page 369</a>
RC2-9327-000CN	Link, right door, lower	<a href="#">1x500-sheet and 3x500-sheet paper deck covers on page 373</a>
RC2-9330-000CN	Cover, rear	<a href="#">1x500-sheet paper feeder covers on page 369</a>
RC2-9331-000CN	Cover, left	<a href="#">1x500-sheet paper feeder covers on page 369</a>
RC2-9332-000CN	Cover, handle lower	<a href="#">1x500-sheet paper feeder covers on page 369</a>
RC2-9335-000CN	Link, right door, upper	<a href="#">1x500-sheet paper feeder covers on page 369</a>
RC2-9335-000CN	Link, right door, upper	<a href="#">1x500-sheet and 3x500-sheet paper deck covers on page 373</a>
RC2-9343-000CN	Cover, right corner	<a href="#">1x500-sheet and 3x500-sheet paper deck covers on page 373</a>
RC2-9346-000CN	Cover, right lower, 1	<a href="#">1x500-sheet and 3x500-sheet paper deck covers on page 373</a>
RC2-9347-000CN	Cover, right lower, 2	<a href="#">1x500-sheet and 3x500-sheet paper deck covers on page 373</a>

**Table 2-36 Numerical parts list (continued)**

<b>Part number</b>	<b>Description</b>	<b>Table and page</b>
RC2-9348-000CN	Cover, rear	<a href="#">1x500-sheet and 3x500-sheet paper deck covers on page 373</a>
RC2-9349-000CN	Cover, left	<a href="#">1x500-sheet and 3x500-sheet paper deck covers on page 373</a>
RC2-9350-000CN	Cover, left lower	<a href="#">1x500-sheet and 3x500-sheet paper deck covers on page 373</a>
RC2-9353-000CN	Door, stock, 1 (1x500 paper deck only)	<a href="#">1x500-sheet and 3x500-sheet paper deck covers on page 373</a>
RC2-9354-000CN	Door, stock, 2 (1x500 paper deck only)	<a href="#">1x500-sheet and 3x500-sheet paper deck covers on page 373</a>
RC2-9357-000CN	Cover, rear lower	<a href="#">1x500-sheet and 3x500-sheet paper deck covers on page 373</a>
RC2-9649-000CN	Plate, arm reinforcement	<a href="#">Internal assemblies (5 of 8) on page 361</a>
RC2-9687-000CN	Plate, FFC protective	<a href="#">Internal assemblies (8 of 8) on page 367</a>
RC3-0684-000CN	Guide, cable	<a href="#">Internal assemblies (7 of 8) on page 365</a>
RC3-1013-000CN	Sheet, slide seal	<a href="#">Internal assemblies (6 of 8) on page 363</a>
RC3-1014-000CN	Seal, slide shutter	<a href="#">Internal assemblies (6 of 8) on page 363</a>
RC3-2321-000CN	Wall, inner	<a href="#">Covers on page 349</a>
RC3-2334-000CN	Label, fixing (fuser) access	<a href="#">Covers on page 349</a>
RC3-2994-000CN	Caster, rear	<a href="#">1x500-sheet paper deck components on page 375</a>
RC3-2994-000CN	Caster, rear	<a href="#">3x500-sheet paper deck components on page 377</a>
RC3-3000-000CN	Cover, right center	<a href="#">HCI covers on page 379</a>
RC3-3001-000CN	Cover, right lower	<a href="#">HCI covers on page 379</a>
RC3-3002-000CN	Cover, right rear	<a href="#">HCI covers on page 379</a>
RC3-3003-000CN	Cover, rear	<a href="#">HCI covers on page 379</a>
RC3-3004-000CN	Cover, rear lower	<a href="#">HCI covers on page 379</a>
RC3-3005-000CN	Cover, left	<a href="#">HCI covers on page 379</a>



**Table 2-36 Numerical parts list (continued)**

<b>Part number</b>	<b>Description</b>	<b>Table and page</b>
RC3-3006-000CN	Cover, left lower	<a href="#">HCI covers on page 379</a>
RC3-3009-000CN	Cover, corner, right	<a href="#">HCI covers on page 379</a>
RC3-3323-000CN	Cover, right door cable, small	<a href="#">Stapler/stacker covers on page 345</a>
RC3-3324-000CN	Cover, front right	<a href="#">Stapler/stacker covers on page 345</a>
RC3-3325-000CN	Cover, front left	<a href="#">Stapler/stacker covers on page 345</a>
RC3-3326-000CN	Cover, left rear	<a href="#">Stapler/stacker covers on page 345</a>
RC3-3331-000CN	Cover, left lower	<a href="#">Stapler/stacker covers on page 345</a>
RC3-4687-000CN	Holder, door detect, right	<a href="#">Internal assemblies (4 of 8) on page 359</a>
RK2-1331-000CN	Motor, stepping, DC	<a href="#">1x500-sheet paper feeder components on page 371</a>
RK2-1331-000CN	Motor, stepping, DC	<a href="#">1x500-sheet paper deck components on page 375</a>
RK2-1331-000CN	Motor, stepping, DC	<a href="#">3x500-sheet paper deck components on page 377</a>
RK2-1331-000CN	Motor, stepping, DC	<a href="#">HCI components (1 of 2) on page 381</a>
RK2-2276-000CN	Fan (FM1; power supply)	<a href="#">Internal assemblies (6 of 8) on page 363</a>
RK2-2884-000CN	Sensor, environmental PCA	<a href="#">Internal assemblies (4 of 8) on page 359</a>
RK2-3298-000CN	Motor, DC stepping (M6, M7)	<a href="#">Internal assemblies (3 of 8) on page 357</a>
RK2-4329-000CN	Cable, USB	<a href="#">Internal assemblies (8 of 8) on page 367</a>
RL1-1390-000CN	Rail, cassette, right	<a href="#">1x500-sheet paper deck components on page 375</a>
RL1-1390-000CN	Rail, cassette, right	<a href="#">3x500-sheet paper deck components on page 377</a>
RL1-1391-000CN	Rail, cassette, left	<a href="#">1x500-sheet paper deck components on page 375</a>
RL1-1391-000CN	Rail, cassette, left	<a href="#">3x500-sheet paper deck components on page 377</a>
RL1-2235-000CN	Lock plate, front	<a href="#">Internal assemblies (6 of 8) on page 363</a>

**Table 2-36 Numerical parts list (continued)**

<b>Part number</b>	<b>Description</b>	<b>Table and page</b>
RL1-2236-000CN	Lock plate, 2cnd transfer	<a href="#">Internal assemblies (6 of 8) on page 363</a>
RL1-2266-000CN	Plate, duplexing drive gear	<a href="#">Internal assemblies (3 of 8) on page 357</a>
RL1-2281-000CN	Plate, right door link fixed, FR	<a href="#">Internal assemblies (4 of 8) on page 359</a>
RL1-2282-000CN	Plate, right door link fixed, RR	<a href="#">Internal assemblies (4 of 8) on page 359</a>
RM1-3575-000CN	Cable, paper pickup option	<a href="#">1x500-sheet paper deck components on page 375</a>
RM1-3575-000CN	Cable, paper pickup option	<a href="#">3x500-sheet paper deck components on page 377</a>
RM1-3647-000CN	Cable, multisensor	<a href="#">1x500-sheet paper deck components on page 375</a>
RM1-3647-000CN	Cable, multi sensor	<a href="#">3x500-sheet paper deck components on page 377</a>
RM1-3651-000CN	Cable, door open switch	<a href="#">3x500-sheet paper deck components on page 377</a>
RM1-3819-000CN	Lifter drive assembly	<a href="#">1x500-sheet paper feeder components on page 371</a>
RM1-3819-000CN	Lifter drive assembly	<a href="#">1x500-sheet paper deck components on page 375</a>
RM1-3819-000CN	Lifter drive assembly	<a href="#">3x500-sheet paper deck components on page 377</a>
RM1-5990-000CN	Cartridge guide assembly, upper	<a href="#">Internal assemblies (1 of 8) on page 353</a>
RM1-6012-000CN	Cover, waste toner	<a href="#">Internal assemblies (5 of 8) on page 361</a>
RM1-6018-000CN	ITB guide rail assembly	<a href="#">Internal assemblies (5 of 8) on page 361</a>
RM1-6019-000CN	ITB guide rail	<a href="#">Internal assemblies (5 of 8) on page 361</a>
RM1-6036-000CN	Auto close assembly	<a href="#">Internal assemblies (7 of 8) on page 365</a>
RM1-6037-000CN	ITB guide rail assembly, R1	<a href="#">Internal assemblies (5 of 8) on page 361</a>
RM1-6039-000CN	Lifter drive assembly	<a href="#">Internal assemblies (7 of 8) on page 365</a>
RM1-6040-010CN	Toner feed assembly	<a href="#">Internal assemblies (6 of 8) on page 363</a>

**Table 2-36 Numerical parts list (continued)**

<b>Part number</b>	<b>Description</b>	<b>Table and page</b>
RM1-6045-000CN	MP tray (Tray 1) assembly	<a href="#">Right door on page 351</a>
RM1-6074-000CN	Motor, fixing (fuser)	<a href="#">Internal assemblies (2 of 8) on page 355</a>
RM1-6088-000CN	Motor, DC	<a href="#">Internal assemblies (3 of 8) on page 357</a>
RM1-6122-070CN	Laser/scanner assembly	<a href="#">Internal assemblies (6 of 8) on page 363</a>
RM1-6759-000CN	Power switch PCA	<a href="#">Internal assemblies (7 of 8) on page 365</a>
RM1-6779-000CN	Toner remanet detect PCA	<a href="#">Internal assemblies (7 of 8) on page 365</a>
RM1-6800-000CN	Imaging high-voltage PCA assembly	<a href="#">Internal assemblies (8 of 8) on page 367</a>
RM1-6802-000CN	PCA, 2cnd transfer H.V.P.	<a href="#">Internal assemblies (4 of 8) on page 359</a>
RM1-6804-000CN	FFC assembly	<a href="#">Internal assemblies (6 of 8) on page 363</a>
RM1-6807-000CN	Cable, low voltage	<a href="#">Internal assemblies (7 of 8) on page 365</a>
RM1-6811-000CN	Cable, low-voltage AC joint	<a href="#">Internal assemblies (7 of 8) on page 365</a>
RM1-6813-000CN	Cable, low voltage, test	<a href="#">Internal assemblies (7 of 8) on page 365</a>
RM1-6822-000CN	Cable, 1st transfer	<a href="#">Internal assemblies (8 of 8) on page 367</a>
RM1-6846-000CN	Cable, feed joint	<a href="#">Internal assemblies (3 of 8) on page 357</a>
RM1-6863-000CN	Cable, rear	<a href="#">Internal assemblies (8 of 8) on page 367</a>
RM1-6867-000CN	Cable, SB joint	<a href="#">Internal assemblies (2 of 8) on page 355</a>
RM1-6944-000CN	Paper pickup assembly	<a href="#">1x500-sheet paper feeder components on page 371</a>
RM1-6944-000CN	Paper pickup assembly <sup>1</sup>	<a href="#">1x500-sheet paper deck components on page 375</a>
RM1-6944-000CN	Paper pickup assembly	<a href="#">3x500-sheet paper deck components on page 377</a>
RM1-6946-000CN	Right door assembly	<a href="#">1x500-sheet paper feeder covers on page 369</a>

**Table 2-36 Numerical parts list (continued)**

<b>Part number</b>	<b>Description</b>	<b>Table and page</b>
RM1-6948-000CN	Right lower cover assembly	<a href="#">1x500-sheet paper feeder covers on page 369</a>
RM1-6949-000CN	Front upper cover assembly	<a href="#">1x500-sheet paper feeder covers on page 369</a>
RM1-6949-000CN	Front upper cover assembly	<a href="#">1x500-sheet and 3x500-sheet paper deck covers on page 373</a>
RM1-6952-000CN	Right door assembly (1x500 paper deck)	<a href="#">1x500-sheet and 3x500-sheet paper deck covers on page 373</a>
RM1-6953-000CN	Right door assembly (3x500 paper deck)	<a href="#">1x500-sheet and 3x500-sheet paper deck covers on page 373</a>
RM1-6954-000CN	Stock box assembly	<a href="#">1x500-sheet paper deck components on page 375</a>
RM1-6958-000CN	Front lower cover assembly	<a href="#">1x500-sheet and 3x500-sheet paper deck covers on page 373</a>
RM1-6987-000CN	Paper feeder controller PCA	<a href="#">1x500-sheet paper feeder components on page 371</a>
RM1-6988-000CN	Feeder PCA	<a href="#">1x500-sheet paper deck components on page 375</a>
RM1-6989-000CN	Feeder PCA	<a href="#">3x500-sheet paper deck components on page 377</a>
RM1-6991-000CN	Cable, engine interface	<a href="#">1x500-sheet paper deck components on page 375</a>
RM1-6991-000CN	Cable, engine interface	<a href="#">3x500-sheet paper deck components on page 377</a>
RM1-6992-000CN	Cable, PCA joint	<a href="#">3x500-sheet paper deck components on page 377</a>
RM1-7004-000CN	PCA, 1st transfer H.V.P.	<a href="#">Internal assemblies (4 of 8) on page 359</a>
RM1-7142-000CN	Cover, right rear	<a href="#">Covers on page 349</a>
RM1-7922-000CN	Sensor, registration	<a href="#">Internal assemblies (2 of 8) on page 355</a>
RM1-8868-000CN	Right door assembly	<a href="#">HCI covers on page 379</a>
RM1-8869-000CN	Paper pickup assembly, right	<a href="#">HCI components (2 of 2) on page 383</a>
RM1-8876-000CN	Paper pickup assembly, left	<a href="#">HCI components (2 of 2) on page 383</a>

**Table 2-36 Numerical parts list (continued)**

<b>Part number</b>	<b>Description</b>	<b>Table and page</b>
RM1-8879-000CN	Lifter drive assembly	<a href="#">HCI components (1 of 2) on page 381</a>
RM1-8880-000CN	Auto close assembly	<a href="#">HCI components (2 of 2) on page 383</a>
RM1-8888-000CN	Crossing paper feed assembly	<a href="#">HCI components (2 of 2) on page 383</a>
RM1-8895-000CN	Low-voltage power supply (110V-127V)	<a href="#">Internal assemblies (7 of 8) on page 365</a>
RM1-8896-000CN	Low-voltage power supply (220V-2450V)	<a href="#">Internal assemblies (7 of 8) on page 365</a>
RM1-8899-000CN	PCA, driver	<a href="#">Internal assemblies (4 of 8) on page 359</a>
RM1-8901-000CN	Cable assembly, left	<a href="#">Internal assemblies (7 of 8) on page 365</a>
RM1-8903-000CN	Cable assembly, switch	<a href="#">Internal assemblies (7 of 8) on page 365</a>
RM1-8905-000CN	Cable assembly, sub power supply	<a href="#">Internal assemblies (8 of 8) on page 367</a>
RM1-8906-000CN	Cable assembly, stacker	<a href="#">Internal assemblies (8 of 8) on page 367</a>
RM1-9077-000CN	Controller PCA	<a href="#">HCI components (1 of 2) on page 381</a>
RM1-9358-000CN	Cover, top	<a href="#">Covers on page 349</a>
RM1-9359-000CN	Cover, right front	<a href="#">Covers on page 349</a>
RM1-9360-000CN	Door, right	<a href="#">Right door on page 351</a>
RM1-9361-000CN	Cover, right upper	<a href="#">Right door on page 351</a>
RM1-9362-000CN	Cover, rear	<a href="#">Covers on page 349</a>
RM1-9363-000CN	Cover, left	<a href="#">Covers on page 349</a>
RM1-9364-000CN	Cartridge fan (FM4)	<a href="#">Internal assemblies (4 of 8) on page 359</a>
RM1-9365-000CN	Duplexing fan (FM2)	<a href="#">Internal assemblies (7 of 8) on page 365</a>
RM1-9366-000CN	Sub power supply	<a href="#">Internal assemblies (8 of 8) on page 367</a>
RM1-9367-000CN	Cover, right upper	<a href="#">Covers on page 349</a>
RM1-9368-000CN	Interconnect PCA (ICB) (inner connecting PCA)	<a href="#">Internal assemblies (8 of 8) on page 367</a>
RM1-9371-000CN	DC controller PCA	<a href="#">Internal assemblies (8 of 8) on page 367</a>

**Table 2-36 Numerical parts list (continued)**

<b>Part number</b>	<b>Description</b>	<b>Table and page</b>
RM1-9377-000CN	Paper delivery assembly	<a href="#">Internal assemblies (2 of 8) on page 355</a>
RM1-9382-000CN	Formatter cage	<a href="#">Internal assemblies (8 of 8) on page 367</a>
RM1-9383-000CN	Cover, delivery	<a href="#">Covers on page 349</a>
RM1-9384-000CN	Sub power supply fan (FM5)	<a href="#">Internal assemblies (8 of 8) on page 367</a>
RM1-9389-000CN	MP (Tray 1) lifter plate assembly	<a href="#">Right door on page 351</a>
RM1-9416-000CN	Right front lock cover assembly	<a href="#">HCI covers on page 379</a>
RM1-9422-000CN	Paper pickup motor assembly	<a href="#">HCI components (1 of 2) on page 381</a>
RM1-9440-000CN	Door, right	<a href="#">Stapler/stacker covers on page 345</a>
RM1-9441-000CN	Feed guide assembly	<a href="#">Stapler/stacker components on page 347</a>
RM1-9442-000CN	Operation assembly	<a href="#">Stapler/stacker components on page 347</a>
RM1-9443-000CN	Output bin (tray assembly)	<a href="#">Stapler/stacker covers on page 345</a>
RM1-9443-000CN	Tray assembly	<a href="#">Stapler/stacker components on page 347</a>
RM1-9444-000CN	Solenoid, flapper assembly	<a href="#">Stapler/stacker components on page 347</a>
RM1-9445-000CN	Switch, door assembly	<a href="#">Stapler/stacker components on page 347</a>
RM1-9446-000CN	Stapler assembly	<a href="#">Stapler/stacker components on page 347</a>
RM1-9459-000CN	PCA, main controller	<a href="#">Stapler/stacker components on page 347</a>
RM1-9980-000CN	Cover, rear	<a href="#">Stapler/stacker covers on page 345</a>
RM1-9981-000CN	Cover, front inner	<a href="#">Stapler/stacker covers on page 345</a>
RM1-9982-000CN	Cover, stapler	<a href="#">Stapler/stacker covers on page 345</a>
RM1-9988-000CN	Paper feed center guide assembly	<a href="#">Stapler/stacker components on page 347</a>
RM1-9989-000CN	Right door, lower guide assembly	<a href="#">Stapler/stacker covers on page 345</a>

**Table 2-36 Numerical parts list (continued)**

<b>Part number</b>	<b>Description</b>	<b>Table and page</b>
RM2-0698-000CN	Reverse drive assembly	<a href="#">Internal assemblies (2 of 8) on page 355</a>
RU5-4979-000CN	Shaft, right door link	<a href="#">Internal assemblies (4 of 8) on page 359</a>
RU5-8804-000CN	Label, ITB insert, FV	<a href="#">Internal assemblies (6 of 8) on page 363</a>
RU5-8805-000CN	Label, ITB set, RV	<a href="#">Internal assemblies (6 of 8) on page 363</a>
RU5-8806-000CN	Label, ITB insert, FH	<a href="#">Internal assemblies (6 of 8) on page 363</a>
RU5-8807-000CN	Label, ITB set, RH	<a href="#">Internal assemblies (6 of 8) on page 363</a>
RU5-9056-000CN	Screw, stepped	<a href="#">1x500-sheet and 3x500-sheet paper deck covers on page 373</a>
RU6-0771-000CN	Gear, 25T	<a href="#">Internal assemblies (3 of 8) on page 357</a>
RU6-0772-000CN	Gear, 25T	<a href="#">Internal assemblies (3 of 8) on page 357</a>
RU6-0773-000CN	Gear, 74T	<a href="#">Internal assemblies (3 of 8) on page 357</a>
RU6-0795-000CN	Gear, link worm	<a href="#">Internal assemblies (5 of 8) on page 361</a>
RU6-2670-000CN	Spring, torsion	<a href="#">Internal assemblies (6 of 8) on page 363</a>
RU6-2671-000	Spring, tension	<a href="#">Internal assemblies (3 of 8) on page 357</a>
RU6-2683-000CN	Spring, compression	<a href="#">Internal assemblies (5 of 8) on page 361</a>
RU6-2710-000CN	Spring, tension	<a href="#">Internal assemblies (2 of 8) on page 355</a>
RU6-2721-000CN	Spring, compression	<a href="#">Internal assemblies (1 of 8) on page 353</a>
RU6-2727-000CN	Spring, tension	<a href="#">Internal assemblies (4 of 8) on page 359</a>
RU6-2744-000CN	Spring, tension	<a href="#">Internal assemblies (4 of 8) on page 359</a>
RU6-2767-000CN	Spring, contact	<a href="#">Internal assemblies (7 of 8) on page 365</a>
RU6-2768-000CN	Spring, contact	<a href="#">Internal assemblies (7 of 8) on page 365</a>

**Table 2-36 Numerical parts list (continued)**

<b>Part number</b>	<b>Description</b>	<b>Table and page</b>
RU6-2771-000CN	Spring, contact	<a href="#">Internal assemblies (3 of 8) on page 357</a>
RU6-2772-000CN	Spring, grounding	<a href="#">Internal assemblies (3 of 8) on page 357</a>
RU6-2831-000CN	Spring, tension	<a href="#">Internal assemblies (5 of 8) on page 361</a>
VS1-7207-019CN	Connector, snap tight, BK	<a href="#">Internal assemblies (2 of 8) on page 355</a>
VS1-7500-008CN	Connector, 8P	<a href="#">1x500-sheet paper deck components on page 375</a>
VS1-7500-008CN	Connector, 8P	<a href="#">3x500-sheet paper deck components on page 377</a>
VS1-7514-008CN	Connector, 8P	<a href="#">Internal assemblies (8 of 8) on page 367</a>
VS1-7514-008CN	Connector, 8P	<a href="#">1x500-sheet paper feeder components on page 371</a>
WC2-5512-000CN	Switch, button	<a href="#">1x500-sheet paper feeder components on page 371</a>
WC2-5512-000CN	Switch, button	<a href="#">3x500-sheet paper deck components on page 377</a>
WC4-5251-000CN	Microswitch	<a href="#">Internal assemblies (1 of 8) on page 353</a>
WG8-5935-000CN	Photointerrupter	<a href="#">Internal assemblies (4 of 8) on page 359</a>